

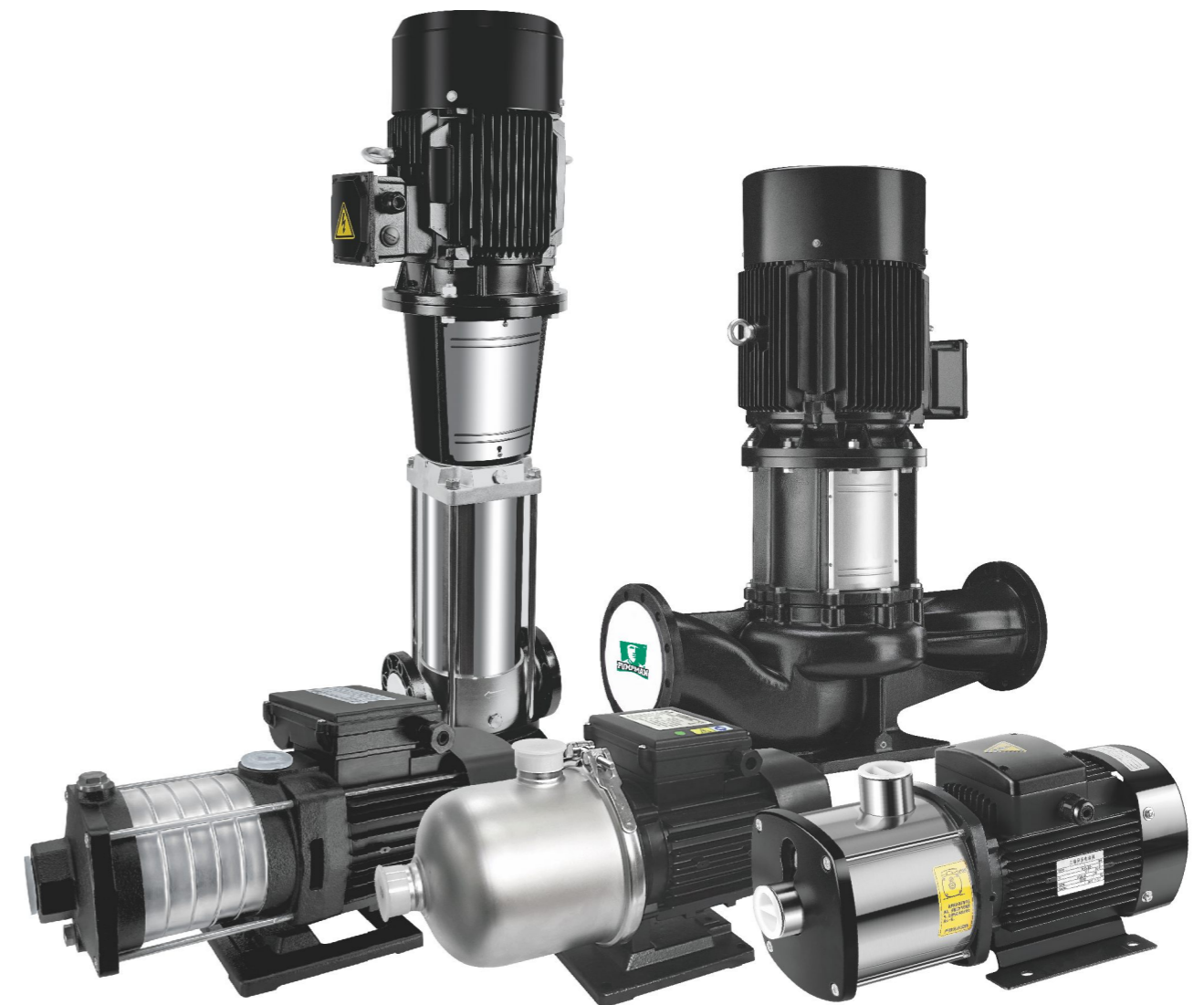
NOTE: Our products' specifications are always improving, please forgive us if there is any change without special notice.  
Photographing or printing will cause color difference, please make the subject as standard.



# PUMPMAN

## INDUSTRIAL PUMP CATALOGUE

### 50HZ



**ZHEJIANG TAIFU PUMP CO.,LTD**

Add: 5, Longmen Road, East Industry Center, Wenling, Zhejiang, China P.C: 317511

Tel: 0086-576-8631 2865

E-mail: chen@chinataifu.com



# COMPANY PROFILE



Listed Company



Full Range



Whole Industrial Chain



- History: More than 40 years experience of manufacturing pumps since 1982
- Scale: Cover an area of up to 170000 Square meters , have nearly 1000 employees
- Technology: A group of professional technical engineers and a strong R&D team
- Management: Scientific ERP management and strict quality control system
- Equipments: Japanese automatic molding machine & pouring machine for cast iron parts, double spindle lathe for pump body and stator, Japanese CNC precision automatic lathe for shaft, automatic wiring machine, electrophoresis, etc.
- Innovations: Continuously diversify products range to satisfy customers' demands
- Production capacity: 200,000 pcs/month
- Marketing network: America, Europe, Asia, Africa, etc;
- Long-term supplier of world-class companies: GAZI and main supermarkets in USA etc;
- NEW: Professional technology development and production group for controller PCB board

RoHS TÜV CE ISO9001 ISO14001 ISO45001



# FRAMEWORK OF SIX BUSINESS UNITS



**40<sup>+</sup>**  
40 years  
of pump industry

**4**  
Russia, Vietnam, North  
America, Indonesia

**150<sup>+</sup>**  
More than 150 export  
countries

**700<sup>+</sup>**  
More than 700 types and  
models of water pumps

# LEADING TECHNOLOGY AND PRODUCTION PROCESS

Build core power of competitiveness  
Enhance added value of innovation

**80<sup>+</sup>**  
R & D Personnel

The company following a quality first path by strictly implementing the theory of "Market oriented, innovation, quality and customer satisfaction" to get a lot of certificates, such as ISO9001 (Quality Management System), ISO14001 (Environmental Management System), ISO45001:2018(Occupational Health and Safety Management System) as well as CE, CSA certificates and so on in order to adapt the demand of national markets.

**86<sup>+</sup>**  
National Patent

It has an international and systematic R & D team led by doctors and senior engineers, implements a talent training mechanism of "introducing and going out", combines production, learning and research with universities and colleges in Zhejiang University, and carries out research on new energy, new materials and new technologies.



## CHL/CHLF(T)/CHM

### Stainless Steel Horizontal Multistage Centrifugal Pump

#### Technical Parameters

Flow rate: 0,56-28m<sup>3</sup>/h

Head range: 7-60m

Power range: 0,37-4,4kW

#### Application

Air conditioning system

Cooling system

Industrial cleaning

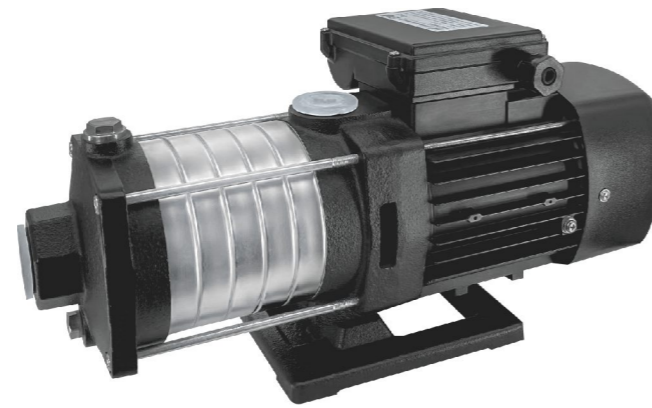
Water treatment (purification of water)

Aquaculture

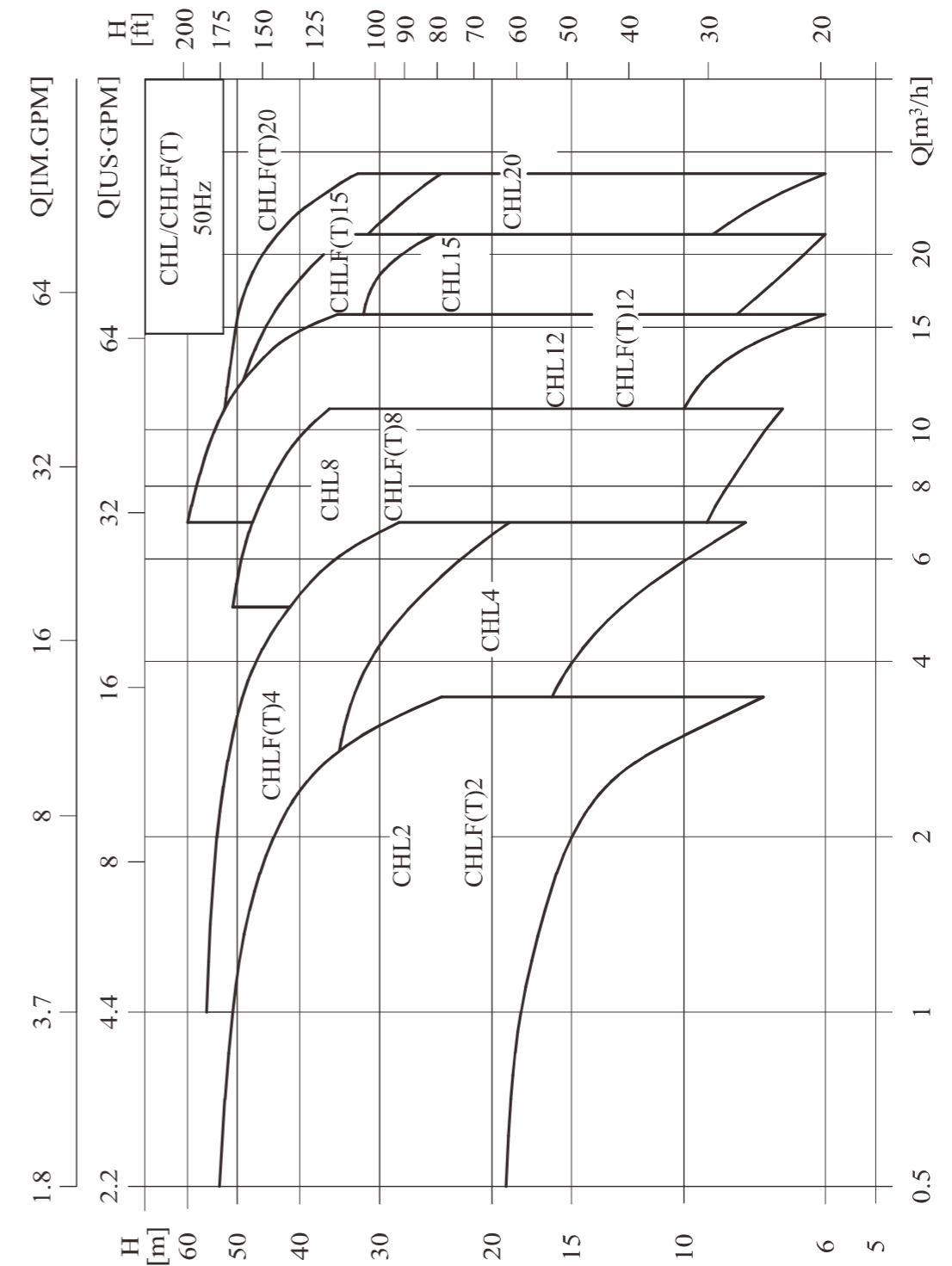
Fertilization/metering system

Environmental applications

(Other) Many specialized and specific purposes



#### Performance Range



## ● Application

The CHL and CHLF (T) pumps are mainly used in industry:

- Air conditioning system
- Cooling system
- Industrial cleaning
- Water treatment (purification of water)
- Aquaculture
- Fertilization/metering system
- Environmental applications
- (Other) Many specialized and specific purposes

## ● Operating Conditions

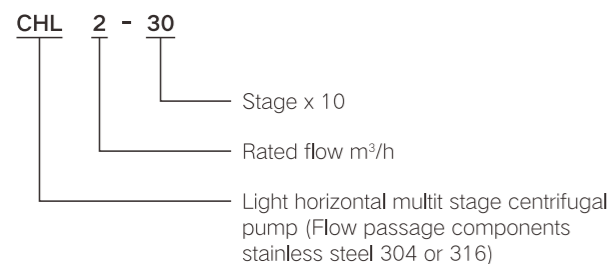
- Liquid temperature:  
room temperature type -15°C to +70°C  
hot water type -15°C to +105°C
- Maximum ambient temperature: +40
- Maximum operating pressure: 10 bar
- The maximum inlet pressure is limited by the maximum operating pressure.

## ● Conveying Liquids

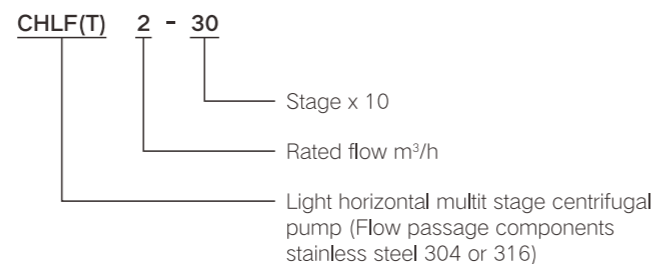
- A thin, clean, non flammable and explosive liquid that does not contain solid particles or fibers. Pumps can transport light chemical media such as mineral water, softened water, pure water, clear oil, and others.
- When the density or viscosity of the conveyed liquid is greater than that of water, a high-power motor must be used if necessary.
- The suitability of a pump for a specific liquid is determined by various factors, the most important of which are chlorine content, pH value, temperature and solvent, oil content, etc.

## ● Definition of Model

### CHL Example



### CHLF(T) Example



## ● Motor

- The motor is a fully enclosed, air-cooled two pole motor.
- Protection level: IP55
- Insulation level: F
- Standard voltage: 50Hz: 1x220-240V
- The maximum power of a 3x220-240V/380-415V single-phase motor is 2.4kw.

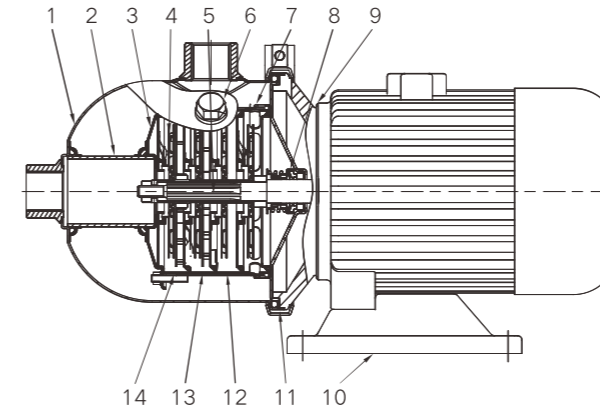
## ● Pump

- Horizontal multi-stage non self priming centrifugal pump with extended shaft motor.
- The compact structure makes the pump size very small, with axial inlet and radial outlet.

## ● Curve Conditions

- The following conditions apply to the performance curve shown later.
- All curves are based on the measured values of the motor at a constant speed of 2900rpm.
- Curve tolerance in accordance with ISO9906:2012, Grade 3B.
- The test uses 20C air free water with a kinematic viscosity of 1mm<sup>2</sup>/s.
- The use of pumps should refer to the performance range of the bold curve to prevent overheating caused by low flow or motor overload caused by excessive flow.

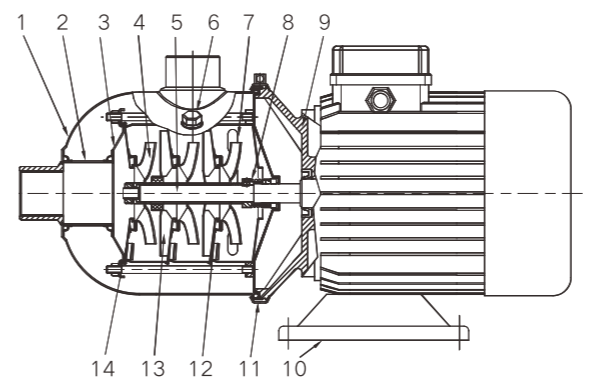
## ● Cross Section View CHL2,4



## ● Material CHL2,4

NO.	Parts	Material	AISI/ASTM
1	Inlet and Outlet Section	Stainless Steel	AISI304
2	Connecting Pipe	Stainless Steel	AISI304
3	Pressing Plate	Stainless Steel	AISI304
4	Impeller	Stainless Steel	AISI304
5	Axis	Stainless Steel	AISI304
6	Plug	Stainless Steel	AISI304
7	Outlet Guide Vane	Stainless Steel	AISI304
8	Mechanical Seal		
9	Motor End Cover	Aluminium Alloy	
10	Base	Steel Plate	AISI1015
11	Quick Coupling	Stainless Steel	AISI304
12	Guide Vane	Stainless Steel	AISI304
13	Support Guide Vane	Stainless Steel	AISI304
14	Deflector	Stainless Steel	AISI304

## ● Cross Section View CHL8,12,15,20



## ● Material CHL8,12,15,20

NO.	Parts	Material	AISI/ASTM
2	Plug	Stainless Steel	AISI304
3	Bearing	Tungsten Carbide	
4	Axis	Stainless Steel	AISI304
5	Impeller	Stainless Steel	AISI304
8	Mechanical Seal		
9	Motor End Cover	Aluminium Alloy	
10	Base	Steel Plate	AISI1015
11	Tie Rod	Stainless Steel	AISI304
12	Guide Vane	Stainless Steel	AISI304
13	Support Guide Vane	Stainless Steel	AISI304
14	Impeller Spacer	Stainless Steel	AISI304
<b>CHLF</b>			
1	Water Inlet	Stainless Steel	AISI304
7	Outlet Water Body	Stainless Steel	AISI304
<b>CHLF(T)</b>			
1	Water Inlet	Cast Iron	ASTM25B
7	Outlet Water Body	Cast Iron	ASTM25B

# CHLF(T)

## Stainless Steel Horizontal Multistage Centrifugal Pump

### Technical Parameters

Flow rate: 1-28m<sup>3</sup>/h

Head range: 7-60m

Power range: 0,37-4,4kW

### Application

Air conditioning system

Cooling system

Industrial cleaning

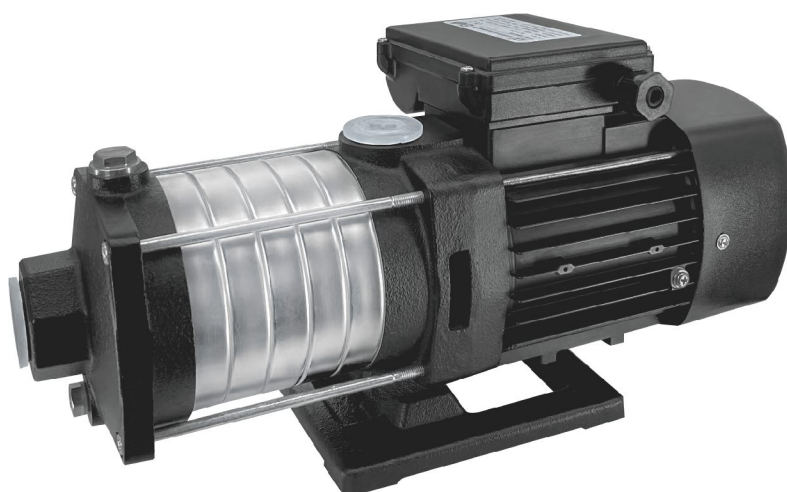
Water treatment (purification of water)

Aquaculture

Fertilization/metering system

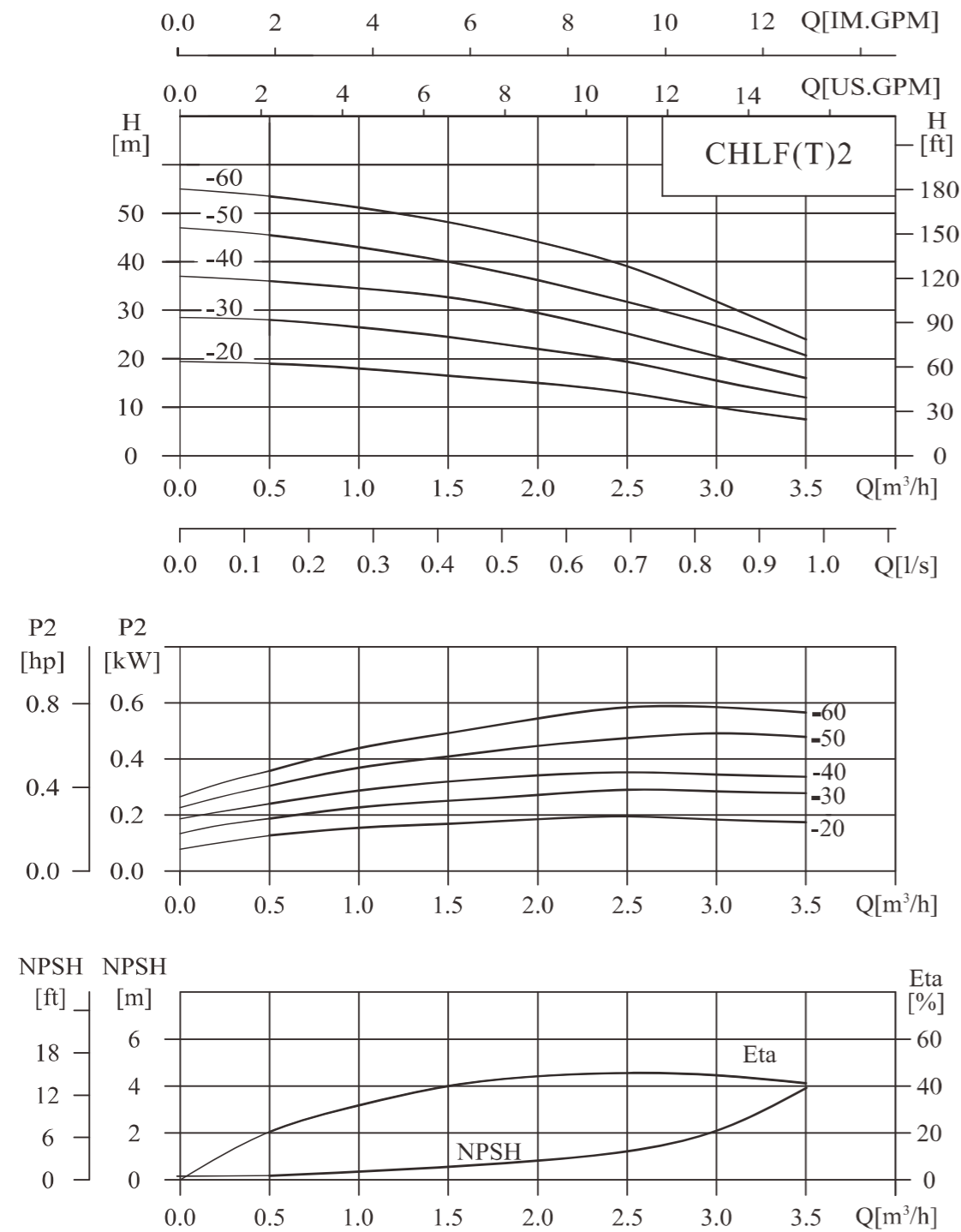
Environmental applications

(Other) Many specialized and specific purposes



## ● Performance Curve

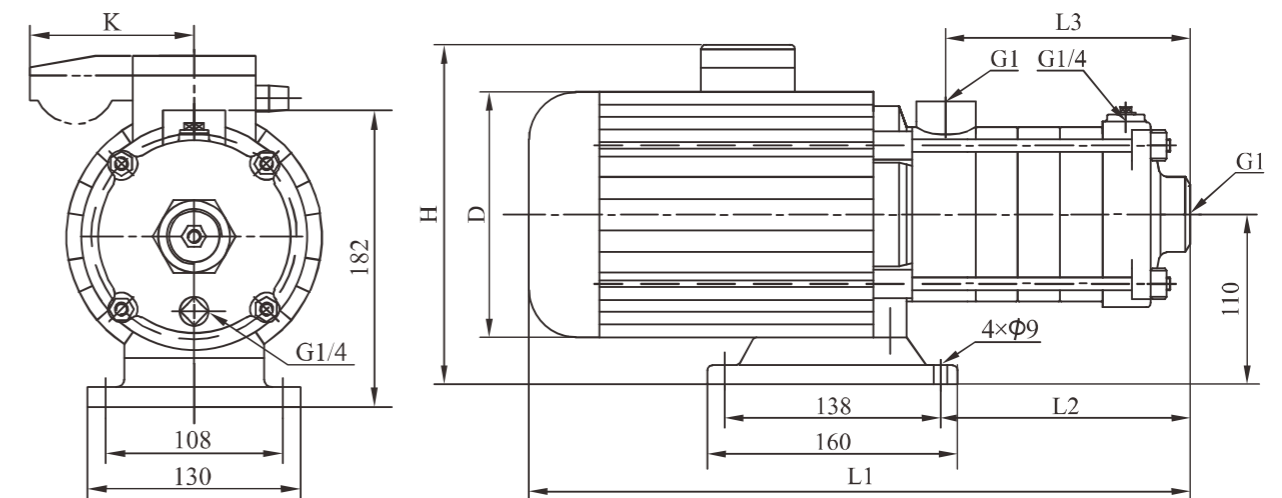
2900r m



## ● Performance Table

Model	Power (kW)	Q (m³/h)	0.5	1	1.5	2.0	2.5	3.0	3.5
CHLF(T)2-20	0.37	H(m)	19	18	16.5	15	13	10	7.5
CHLF(T)2-30	0.37		28	26.5	24.5	22	19	15.5	12
CHLF(T)2-40	0.55		36	34.5	33	29	25	20.5	16
CHLF(T)2-50	0.55		45.5	43	40	36	31.5	26.5	20.5
CHLF(T)2-60	0.75		53.5	51	48	44	39	32	24

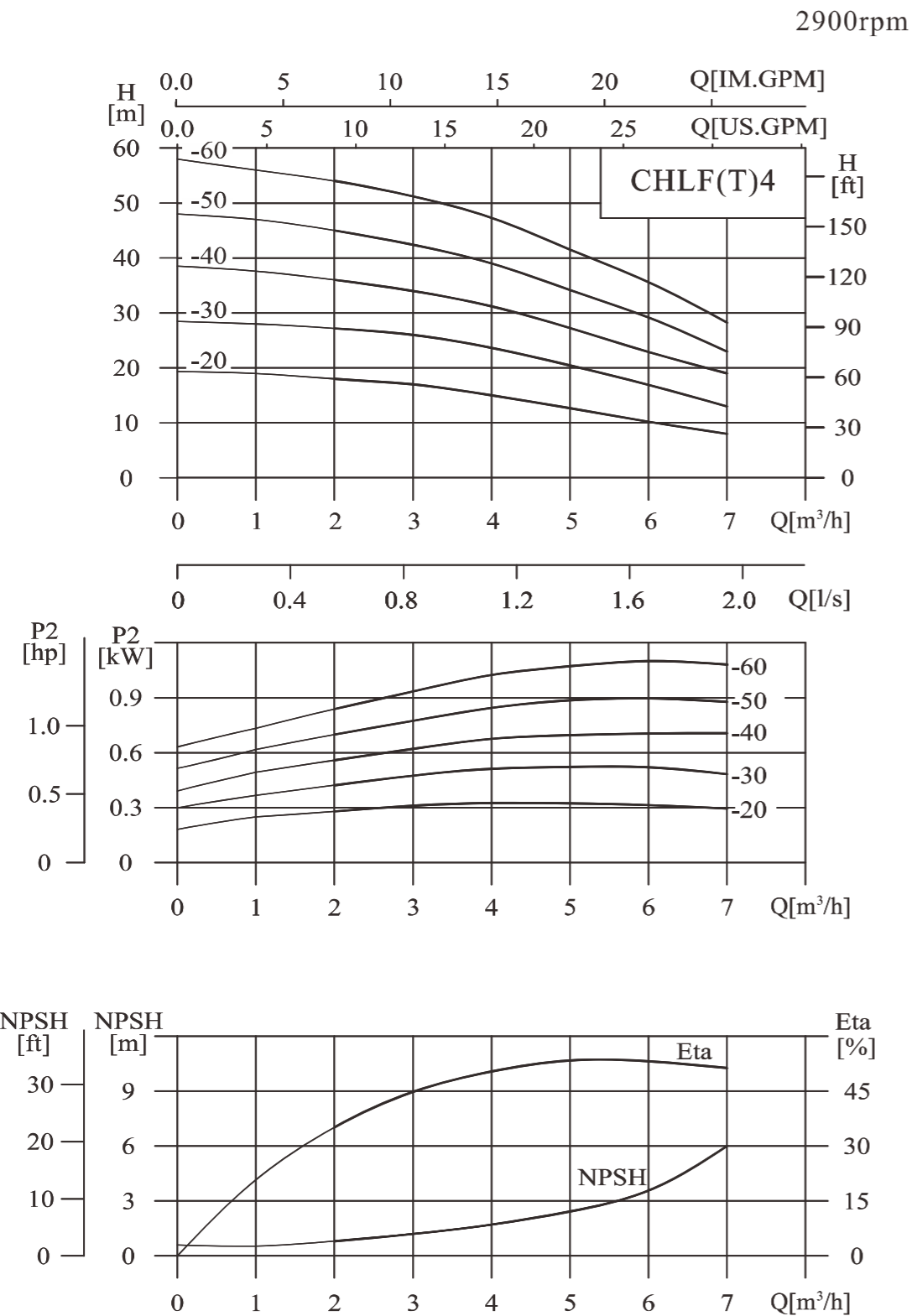
## ● Installation Sketch



## ● Size and Weight

Motor(kW)	Model	Dimensions(mm)						Weight (kg)
		L1	L2	L3	D	H	K	
Three phase/ single phase	CHLF(T)2-20	305	87	84	141	215/230	62	9
	CHLF(T)2-30	323	105	102	141	215/230	62	10
	CHLF(T)2-40	341	123	120	141	215/230	62	11
	CHLF(T)2-50	359	141	138	141	215/230	62	12
	CHLF(T)2-60	422	159	156	151/161	225/245	91	15

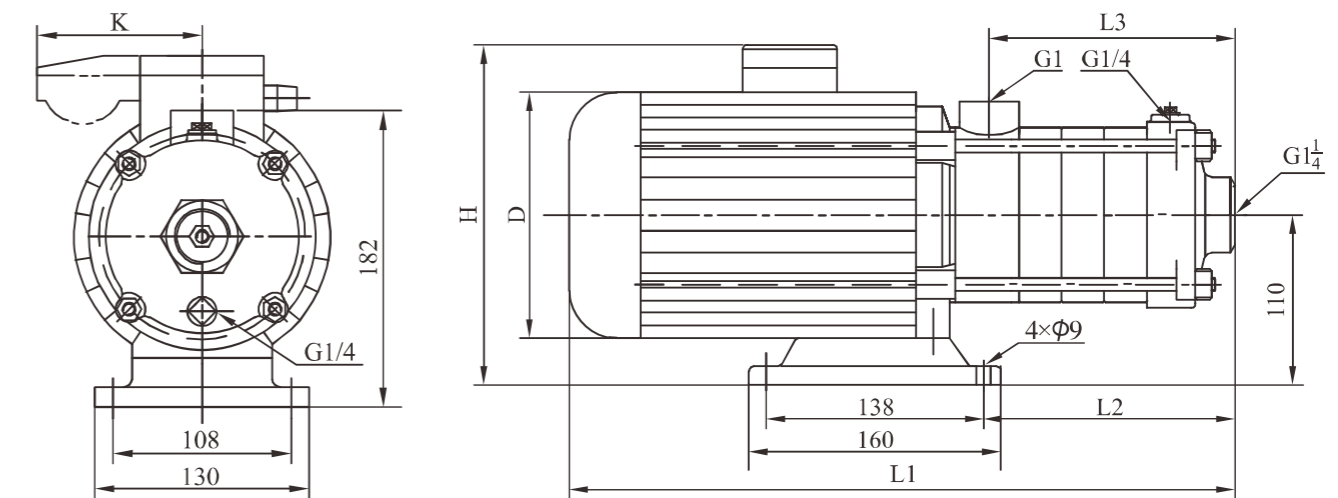
## ● Performance Curve



## ● Performance Table

Model	Power (kW)	Q (m³/h)	1	2	3	4	5	6	7
CHLF(T)4-20	0.37	H(m)	19	18	17	15	12.5	10	8
CHLF(T)4-30	0.55		28	27	26	23.5	20.5	17	13
CHLF(T)4-40	0.75		37.5	36	34	31	27	23	19
CHLF(T)4-50	1.1		47	45	42.5	39	34	29	23
CHLF(T)4-60	1.1		56	54	51	47	41.5	35.5	28

## ● Installation Sketch

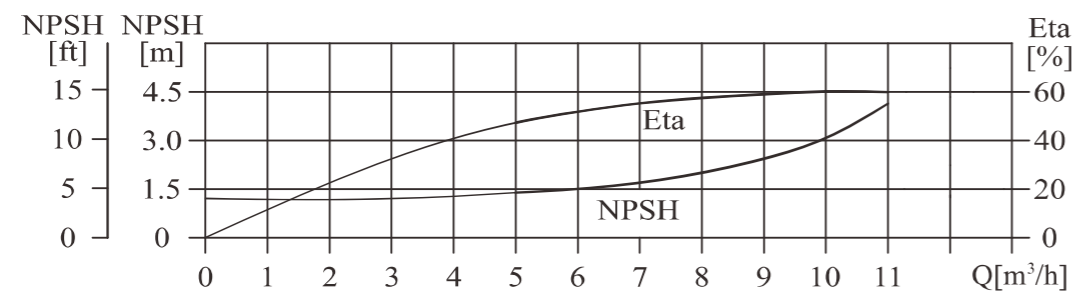
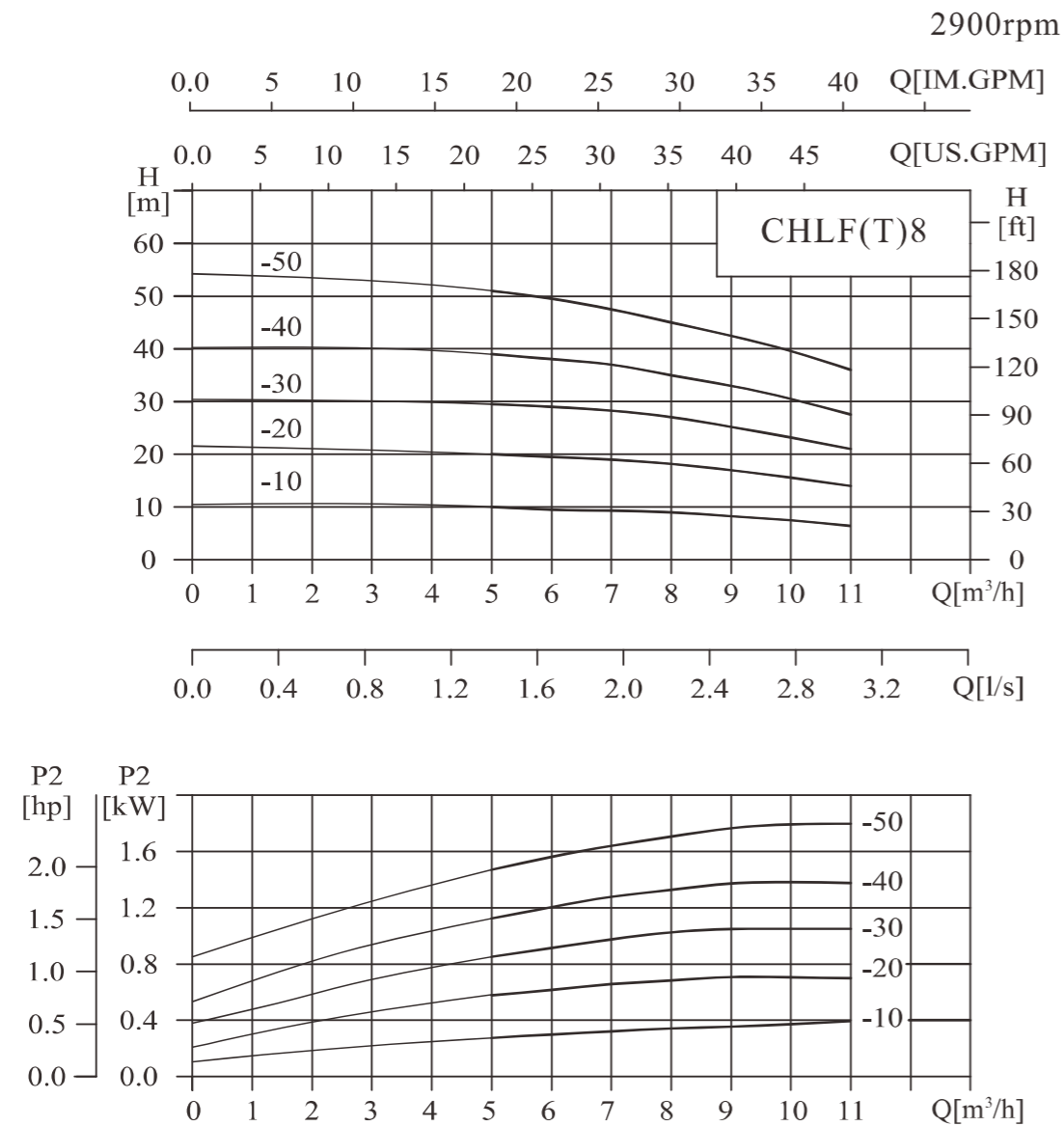


## ● Size and Weight

Motor(kW)	Model	Dimensions(mm)						Weight (kg)
		L1	L2	L3	D	H	K	
Three phase/ single phase	CHLF(T)4-20	329	105	102	141	215/230	62	10
	CHLF(T)4-30	356	132	129	141	215/230	62	11
	CHLF(T)4-40	416	162	156	151/161	225/245	91	14
	CHLF(T)4-50	455	188	183	151/161	225/245	91	16
	CHLF(T)4-60	482	213	210	151/161	225/245	91	17



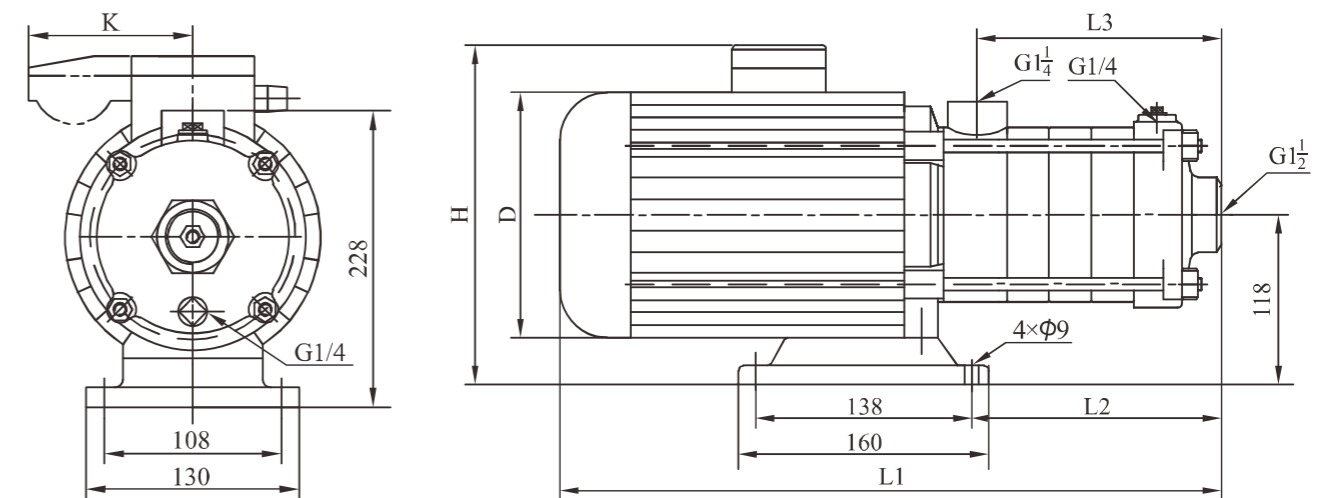
## ● Performance Curve



## ● Performance Table

Model	Power (kW)	Q (m³/h)	5	6	7	8	9	10	11
CHLF(T)8-10	0.75	H(m)	10	9.5	9.3	9	8	7.5	7
CHLF(T)8-20	0.75		20	19.5	19	18	17	15.5	14
CHLF(T)8-30	1.1		29.5	29	28	27	25	23	21
CHLF(T)8-40	1.5		39	38	37	35	33	30.5	27.5
CHLF(T)8-50	2.2		51	49.5	47.5	45	42.5	39.5	36

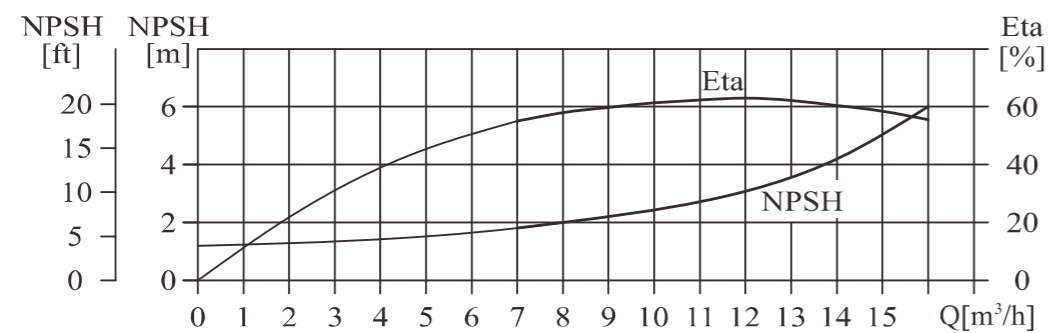
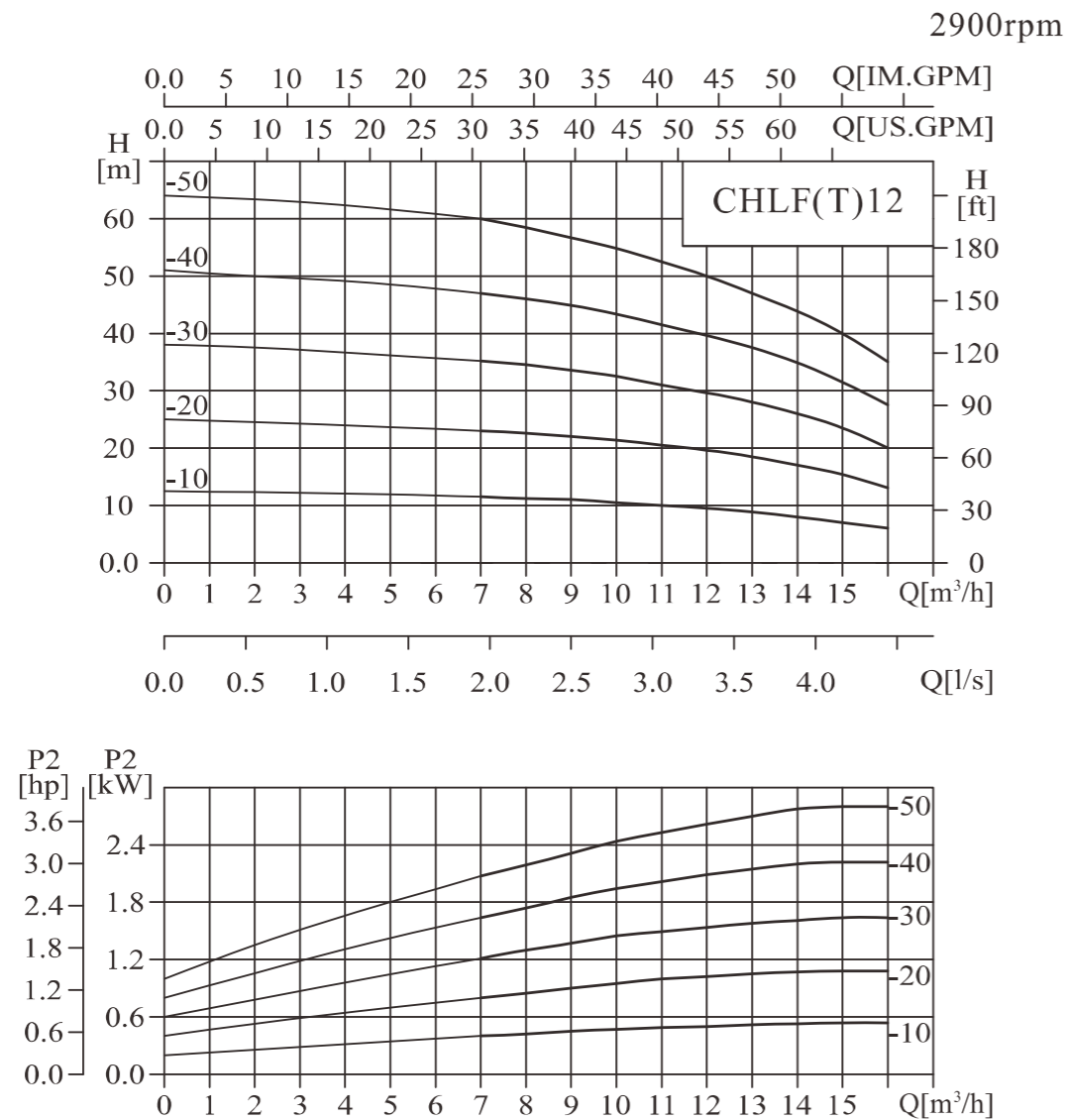
## ● Installation Sketch



## ● Size and Weight

Motor(kW)	Model	Dimensions(mm)						Weight (kg)
		L1	L2	L3	D	H	K	
Three phase/ single phase	CHLF(T)8-10	395	128	108	151/161	230/265	91	17
	CHLF(T)8-20	395	128	108	151/161	230/265	91	17
	CHLF(T)8-30	425	158	138	151/161	230/265	91	19
	CHLF(T)8-40	490	188	168	171/176	240/270	91	22
	CHLF(T)8-50	520	218	198	171/176	240/270	91	25

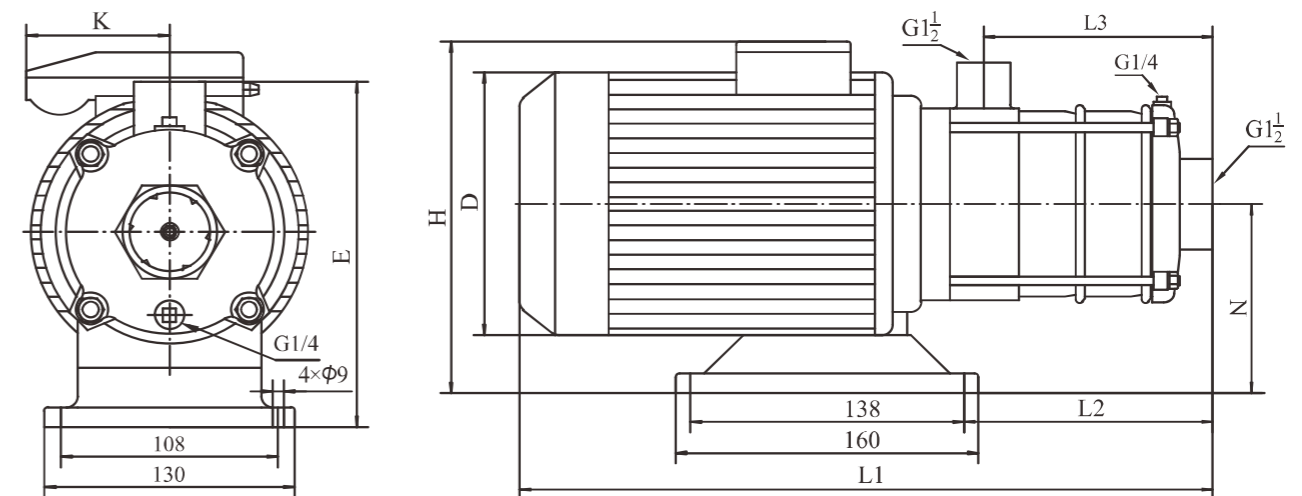
## ● Performance Curve



## ● Performance Table

Model	Power (kW)	Q (m³/h)	7	8	9	10	11	12	13	14	15	16
CHLF(T)12-10	0.75	H(m)	11.5	11.2	11	10.5	10	9.5	9	8	7	6
CHLF(T)12-20	1.2		23	22.5	22	21.5	20.5	19.5	18.5	17	15.5	13
CHLF(T)12-30	1.8		35	34.5	33.5	32.5	31	29.5	28	26	23.5	20
CHLF(T)12-40	2.4		47	46	45	43.5	41.5	39.5	37.5	35	31.5	27.5
CHLF(T)12-50	3		60	58	56.5	55	52.5	50	47	44	40	35

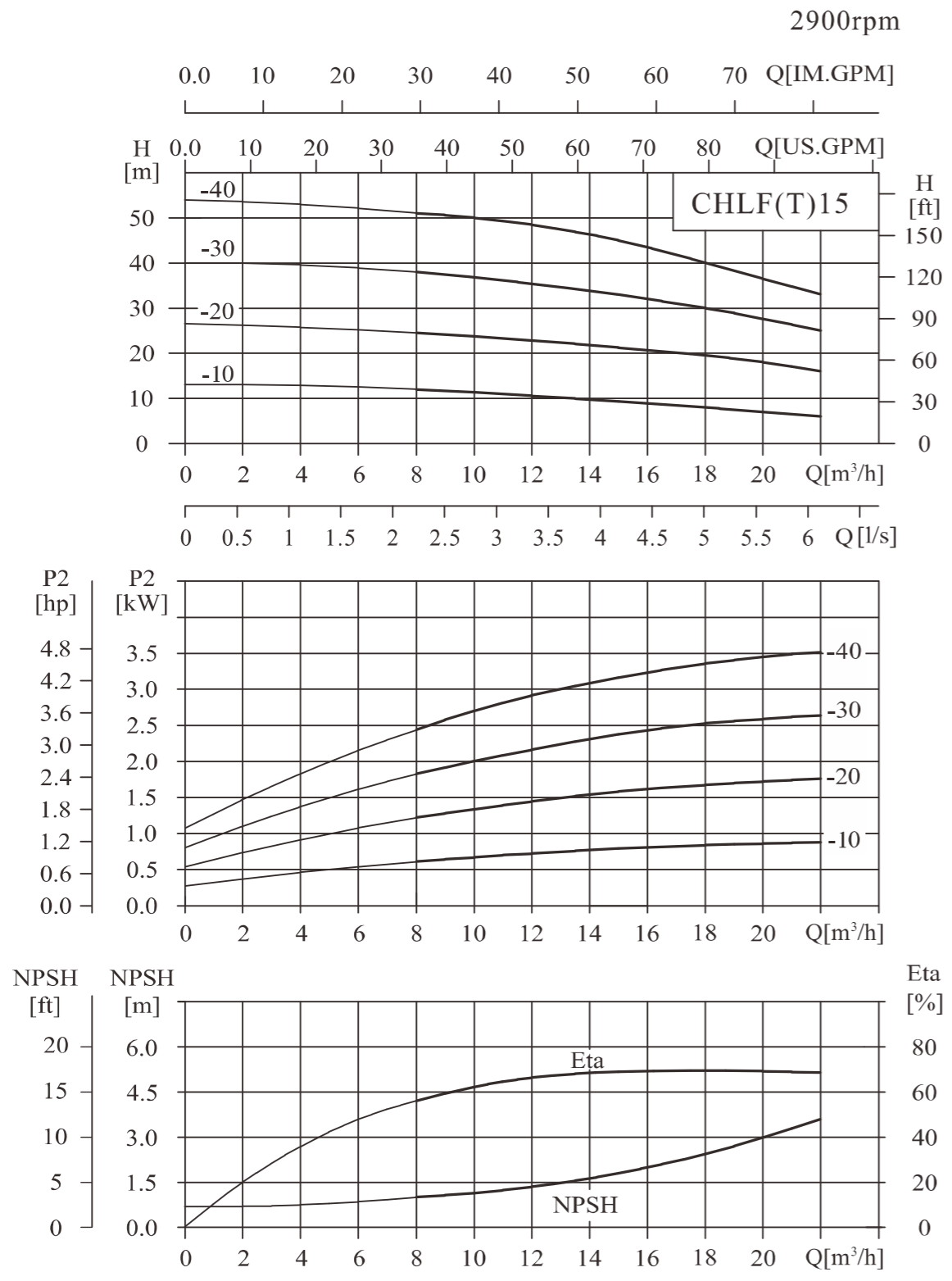
## ● Installation Sketch



## ● Size and Weight

Motor(kW)	Model	Dimensions(mm)								Weight (kg)
		L1	L2	L3	H	D	E	N	K	
Three phase/ single phase	CHLF(T)12-10	375/375	125	108	230/265	151/161	227	117	91	18
	CHLF(T)12-20	375/395	125	108	230/265	151/161	227	117	91	19
	CHLF(T)12-30	445/456	155	138	240/270	171/176	228	118	91	28
	CHLF(T)12-40	475/486	185	168	240/270	171/176	228	118	91	30
	CHLF(T)12-50	561	215	198	259	197	238	128		36

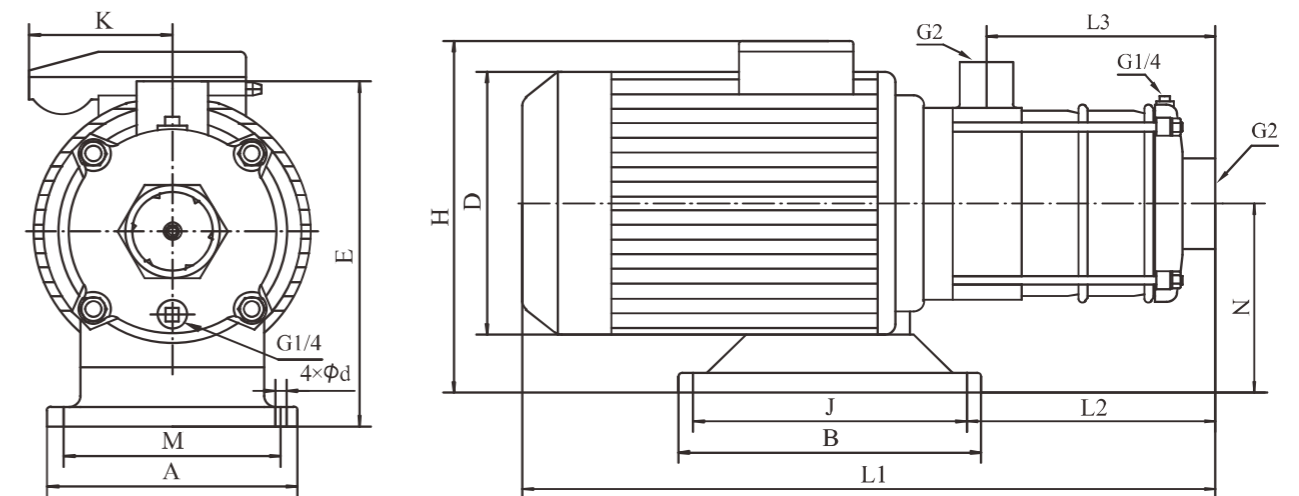
## ● Performance Curve



## ● Performance Table

Model	Power (kW)	Q (m³/h)	8	10	12	14	15	16	18	20	22
CHLF(T)15-10	1.1	H(m)	12	11	10.5	9.5	9	8.5	7.5	6.5	6
CHLF(T)15-20	2.2		24.5	24	23	22	21	20.5	19	18	16
CHLF(T)15-30	3		38	37	35.5	34	33	32	30	28	25
CHLF(T)15-40	4		51	50	48	46	45	43	40	37	33

## ● Installation Sketch

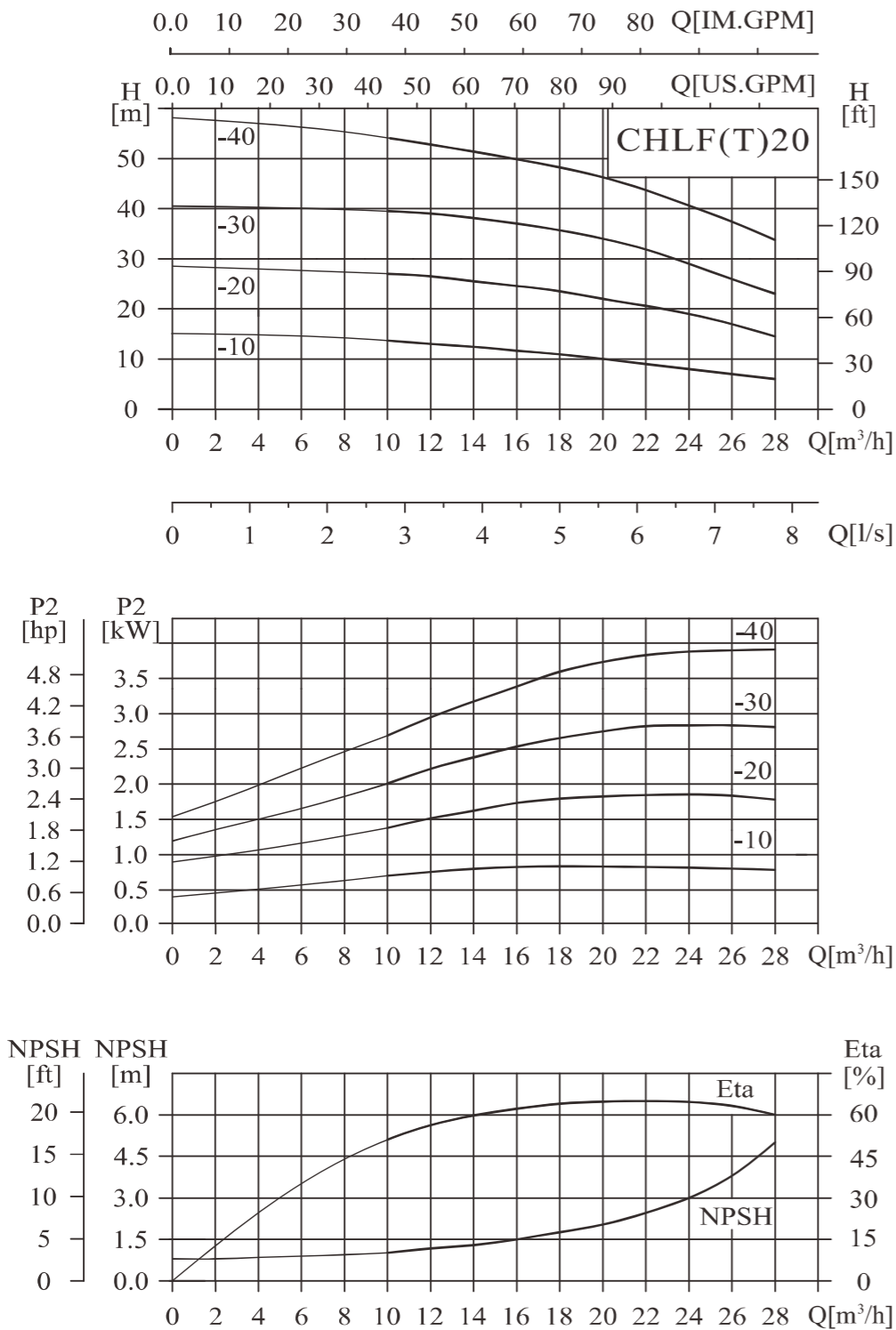


## ● Size and Weight

Motor(kW)	Model	Dimensions(mm)													Weight (kg)
		L1	L2	L3	H	D	E	N	A	M	B	J	d	K	
Three phase/ single phase	CHLF(T)15-10	400/420	150	126	230/265	151/161	227	117	130	108	160	138	9	91	19
	CHLF(T)15-20	440/451	150	126	240/270	171/176	228	118	130	108	160	138	9	91	27
	CHLF(T)15-30	544	195	171	259	197	238	128	130	108	160	138	9		34
	CHLF(T)15-40	595	336	216	270	213	230	120	221	190	170	140	12		41

## ● Performance Curve

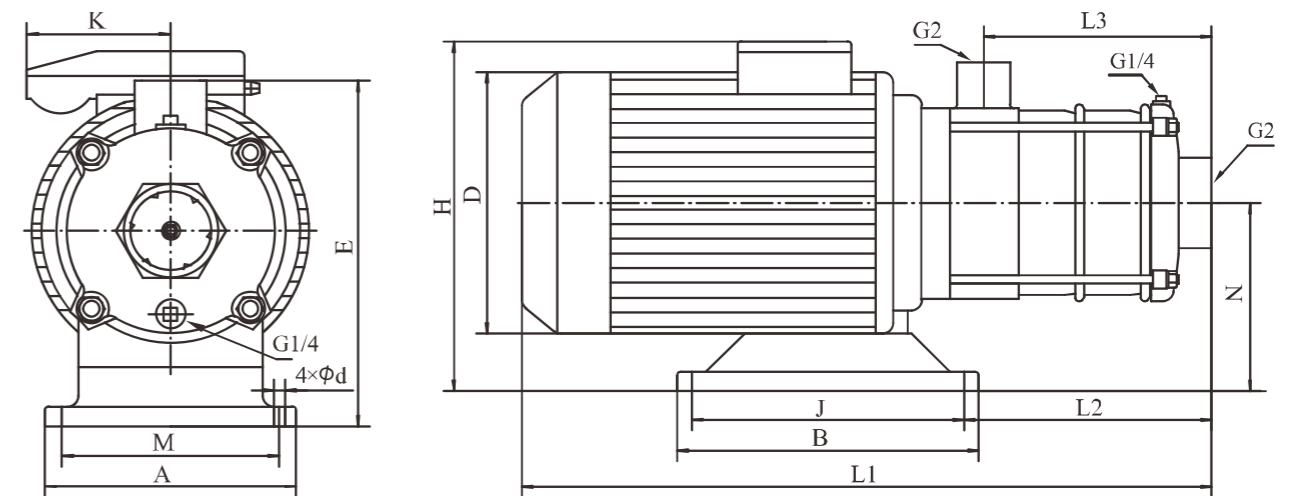
2900rpm



## ● Performance Table

Model	Power (kW)	Q (m³/h)	10	12	14	16	18	20	22	24	26	28
CHLF(T)20-10	1.1	H(m)	13.5	13	12.5	12	11	10	9	8	7	6
CHLF(T)20-20	2.2		27	26.5	25.5	25	23.5	22	20.5	18.5	17	14.5
CHLF(T)20-30	4		39.5	39	38	37.5	35.5	34	31.5	29	26	23
CHLF(T)20-40	4.4		53	52	51	50	48.5	46.5	43	40	36	32.5

## ● Installation Sketch



## ● Size and Weight

Motor(kW)	Model	Dimensions(mm)													Weight (kg)
		L1	L2	L3	H	D	E	N	A	M	B	J	d	K	
Three phase/ single phase	CHLF(T)20-10	400/420	150	126	230/265	151/161	227	117	130	108	160	138	9	91	19
	CHLF(T)20-20	440/451	150	126	240/270	171/176	228	118	130	108	160	138	9	91	27
	CHLF(T)20-30	547	291	171	270	213	230	120	221	190	170	140	12		40
	CHLF(T)20-40	592	336	216	270	213	230	120	221	190	170	140	12		42