

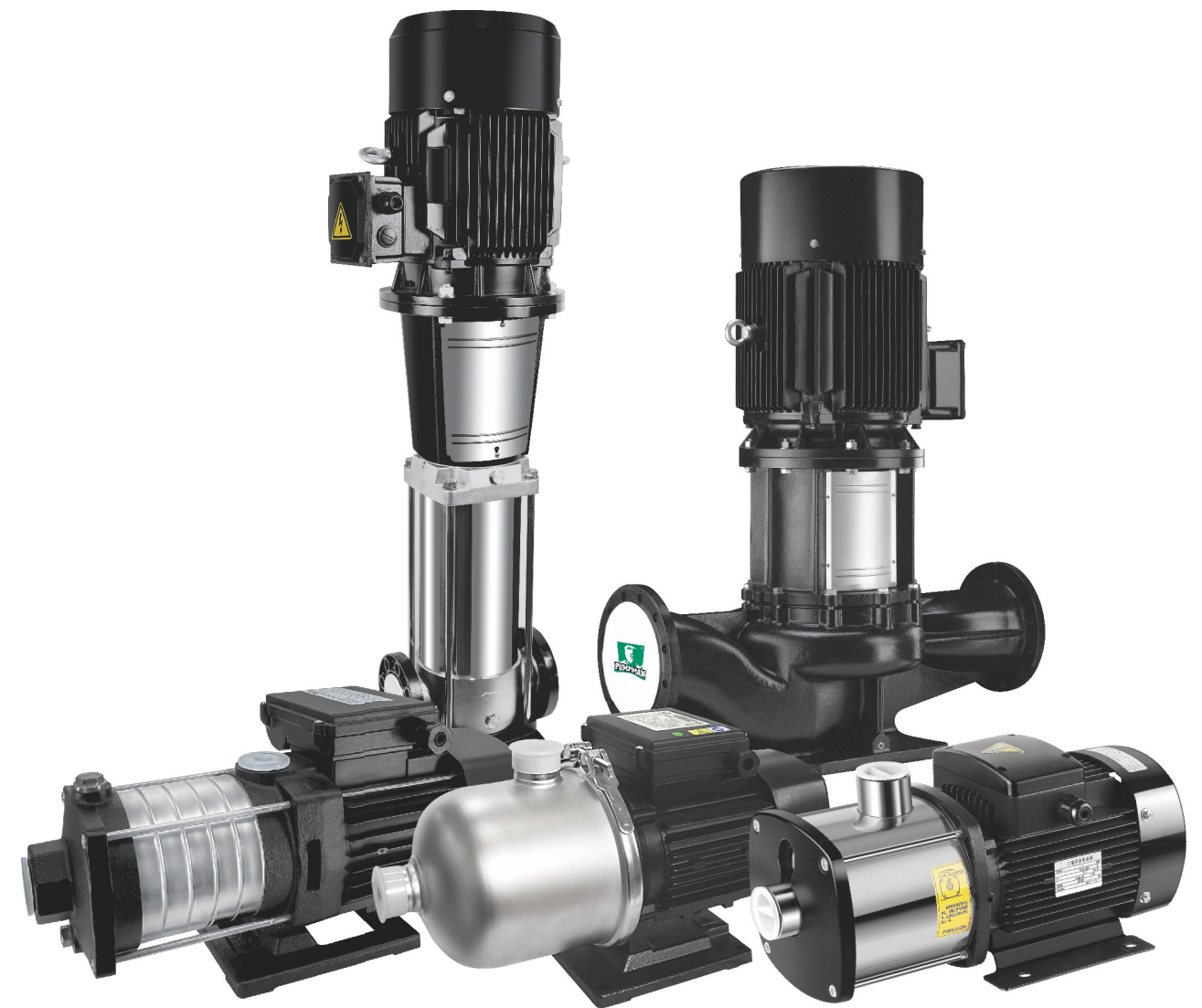
NOTE: Our products' specifications are always improving, please forgive us if there is any change without special notice.  
Photographing or printing will cause color difference, please make the subject as standard.



# PUMPMAN

## INDUSTRIAL PUMP CATALOGUE

### 50HZ



**ZHEJIANG TAIFU PUMP CO.,LTD**

Add: 5, Longmen Road, East Industry Center, Wenling, Zhejiang, China P.C: 317511

Tel: 0086-576-8631 2865

E-mail: chen@chinataifu.com





# COMPANY PROFILE



Listed Company



Full Range



Whole Industrial Chain



- History: More than 40 years experience of manufacturing pumps since 1982
- Scale: Cover an area of up to 170000 Square meters , have nearly 1000 employees
- Technology: A group of professional technical engineers and a strong R&D team
- Management: Scientific ERP management and strict quality control system
- Equipments: Japanese automatic molding machine & pouring machine for cast iron parts, double spindle lathe for pump body and stator, Japanese CNC precision automatic lathe for shaft, automatic wiring machine, electrophoresis, etc.
- Innovations: Continuously diversify products range to satisfy customers' demands
- Production capacity: 200,000 pcs/month
- Marketing network: America, Europe, Asia, Africa, etc;
- Long-term supplier of world-class companies: GAZI and main supermarkets in USA etc;
- NEW: Professional technology development and production group for controller PCB board

RoHS TÜV CE ISO9001 ISO14001 ISO45001





# FRAMEWORK OF SIX BUSINESS UNITS



**40<sup>+</sup>**  
40 years  
of pump industry

**4**  
Russia, Vietnam, North  
America, Indonesia

**150<sup>+</sup>**  
More than 150 export  
countries

**700<sup>+</sup>**  
More than 700 types and  
models of water pumps

# LEADING TECHNOLOGY AND PRODUCTION PROCESS

Build core power of competitiveness  
Enhance added value of innovation

**80<sup>+</sup>**  
R & D Personnel

The company following a quality first path by strictly implementing the theory of "Market oriented, innovation, quality and customer satisfaction" to get a lot of certificates, such as ISO9001 (Quality Management System), ISO14001 (Environmental Management System), ISO45001:2018(Occupational Health and Safety Management System) as well as CE, CSA certificates and so on in order to adapt the demand of national markets.

**86<sup>+</sup>**  
National Patent

It has an international and systematic R & D team led by doctors and senior engineers, implements a talent training mechanism of "introducing and going out", combines production, learning and research with universities and colleges in Zhejiang University, and carries out research on new energy, new materials and new technologies.



## MT(F)

### Light Vertical Multistage Centrifugal Pump

#### Technical Parameters

Flow rate: 0,5-240m<sup>3</sup>/h

Head range: 4-305m

Power range: 0,37-110kW

#### Application

Water supply

Industrial boosting

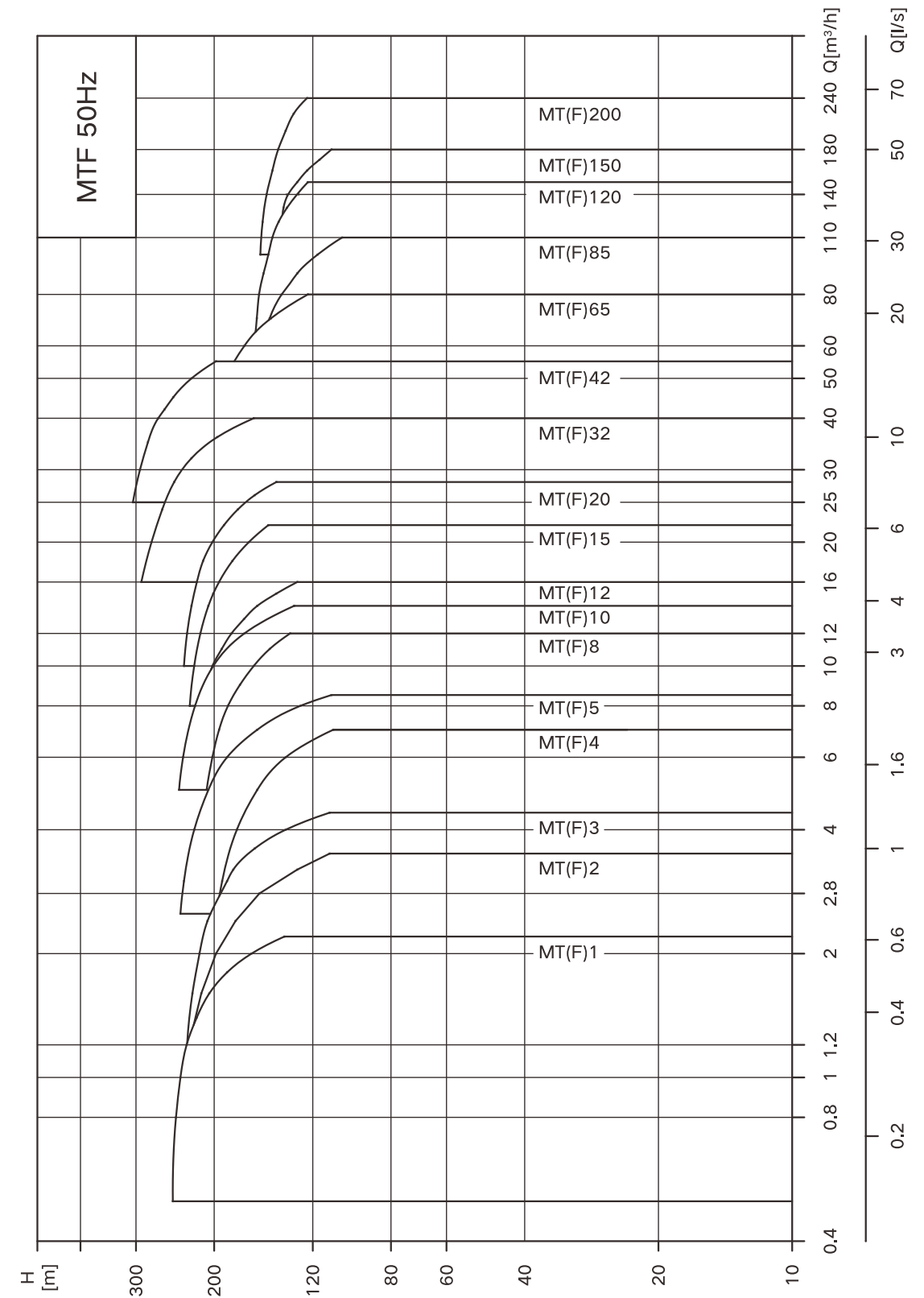
Industrial liquid conveying

Water treatment

Irrigation



#### ● Performance Range





## ● Product Range

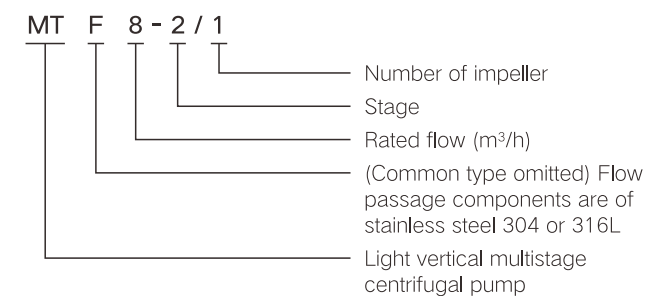
| Description            | MT1       | MT2       | MT3       | MT4      | MT5       | MT8      | MT10      | MT12    | MT15      | MT20      | MT32     | MT42     | MT65     | MT85      | MT120     | MT150  | MT200     |
|------------------------|-----------|-----------|-----------|----------|-----------|----------|-----------|---------|-----------|-----------|----------|----------|----------|-----------|-----------|--------|-----------|
| Rated Flow [m³/h]      | 1         | 2         | 3         | 4        | 5         | 8        | 10        | 12      | 15        | 20        | 32       | 42       | 65       | 85        | 120       | 150    | 200       |
| Rated Flow [l/s]       | 0.28      | 0.56      | 0.83      | 1.11     | 1.39      | 2.22     | 2.78      | 3.33    | 4.17      | 5.56      | 8.89     | 11.67    | 18.06    | 23.61     | 33.33     | 41.67  | 55.56     |
| Flow Range [m³/h]      | 0.5-2.2   | 1-3.5     | 1.2-4.4   | 1.5-7    | 2.5-8.5   | 5-12     | 5-14      | 7-16    | 8-22      | 10-28     | 16-40    | 25-55    | 30-80    | 50-110    | 60-150    | 80-180 | 100-240   |
| Flow Range [l/s]       | 0.14-0.61 | 0.28-0.97 | 0.33-1.22 | 0.42-1.9 | 0.69-2.36 | 1.4-3.3  | 1.39-3.89 | 1.9-4.4 | 2.22-6.11 | 2.78-7.78 | 4.4-11.1 | 6.9-15.3 | 8.3-22.2 | 13.8-30.5 | 16.7-41.7 | 22-50  | 27.8-66.7 |
| Max.pressure [bar]     |           | 23        | 23        | 21       | 24        | 21       | 24        | 22      | 24        | 23        | 29       | 30       | 22       | 17        | 16        | 16     | 16        |
| Motor Power [kW]       | 0.37-2.2  | 0.37-3    | 0.37-3    | 0.37-4   | 0.37-5.5  | 0.75-7.5 | 0.75-7.5  | 1.5-11  | 1.1-15    | 1.1-18.5  | 1.5-30   | 3.0-45   | 4.0-45   | 5.5-45    | 11-75     | 11-75  | 18.5-110  |
| Temperature Range [°C] | -15~+120  |           |           |          |           |          |           |         |           |           |          |          |          |           |           |        |           |
| Max. efficiency [%]    | 48        | 46        | 58        | 57       | 70        | 62       | 72        | 63      | 73        | 73        | 73       | 75       | 76       | 77        | 74        | 73     | 79        |
| Type                   |           |           |           |          |           |          |           |         |           |           |          |          |          |           |           |        |           |
| MT                     | ●         | ●         | ●         | ●        | ●         | ●        | ●         | ●       | ●         | ●         | ●        | ●        | ●        | ●         | ●         | ●      | ●         |
| MTF                    | ●         | ●         | ●         | ●        | ●         | ●        | ●         | ●       | ●         | ●         | ●        | ●        | ●        | ●         | ●         | ●      | ●         |
| MT Pipe Connection     |           |           |           |          |           |          |           |         |           |           |          |          |          |           |           |        |           |
| DN Flange              | DN25      | DN25      | DN25      | DN32     | DN32      | DN40     | DN40      | DN50    | DN50      | DN50      | DN65     | DN80     | DN100    | DN100     | DN125     | DN125  | DN150     |
| Oval Flange            | G1        | G1        | G1        | G1¼      | G1¼       | G1½      | G1½       |         |           |           |          |          |          |           |           |        |           |
| MTF Pipe Connection    |           |           |           |          |           |          |           |         |           |           |          |          |          |           |           |        |           |
| DN Flange              | DN25      | DN25      | DN25      | DN32     | DN32      | DN40     | DN40      | DN50    | DN50      | DN50      | DN65     | DN80     | DN100    | DN100     | DN125     | DN125  | DN150     |
| Cutting Ferrule Joint  | DN32      | DN32      | DN32      | DN32     | DN32      | DN50     | DN50      | DN50    | DN50      | DN50      |          |          |          |           |           |        |           |
| Pipe Thread            | R1¼       | R1¼       | R1¼       | R1¼      | R1¼       | R2       | R2        | R2      | R2        | R2        |          |          |          |           |           |        |           |
| Oval Flange            | G1        | G1        | G1        | G1¼      | G1¼       | G1½      | G1½       |         |           |           |          |          |          |           |           |        |           |

## ● Pump

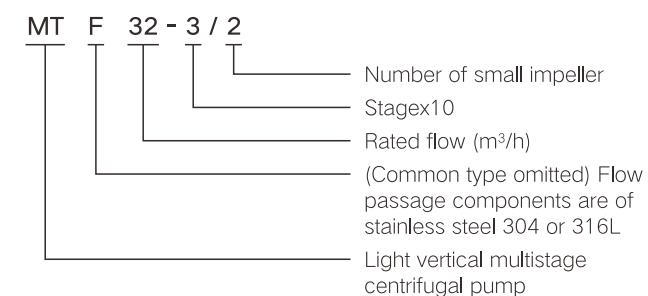
MT/MTF is a kind of vertical non-self priming multistage centrifugal pump, which is driven by a standard electric motor. The motor output shaft directly connects with the pump shaft through a coupling. The pressure-resistant cylinder and flow passage components are fixed between pump head and inlet&outlet section with stay bolts. The inlet and outlet are located at the pump bottom at the same plane. This kind of pump can be equipped with an intelligent protector to effectively prevent it from dry-running, out of phase and overload.

## ● Model Meaning

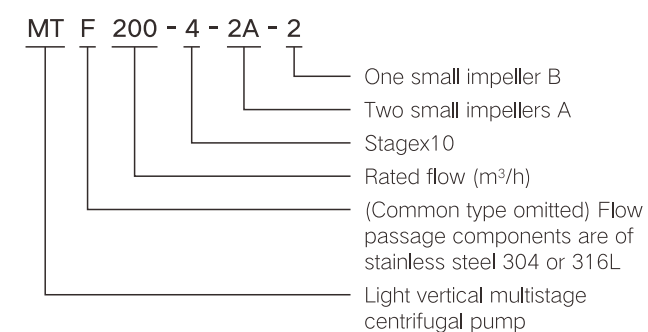
MT(F)1,2,3,4,5,8,10,12,15,20



MT(F)32,42,65,85,120,150



MT(F)200



## ● Application

MT/MTF is a kind of multifunctional products. It can be used to convey various medium from tap water to industrial liquid at different temperature and with different flow rate and pressure. MT type is applicable to conveying non-corrosive liquid, while MTF is suitable for slightly corrosive liquid.

- Water supply: Water filter and transport in Waterworks, boosting of main pipeline, boosting in high-rise buildings.
- Industrial boosting: Process flow water system, cleaning system, high-pressure washing system, fire fighting system.
- Industrial liquid conveying: Cooling and air-conditioning system, boiler water supply and condensing system, machine-associated purpose, acids and alkali.
- Water treatment: Ultrafiltration system, reverse osmosis system, distillation system, separator, swimming pool.
- Irrigation: Farmland irrigation, spray irrigation, dripping irrigation.

## ● Motor

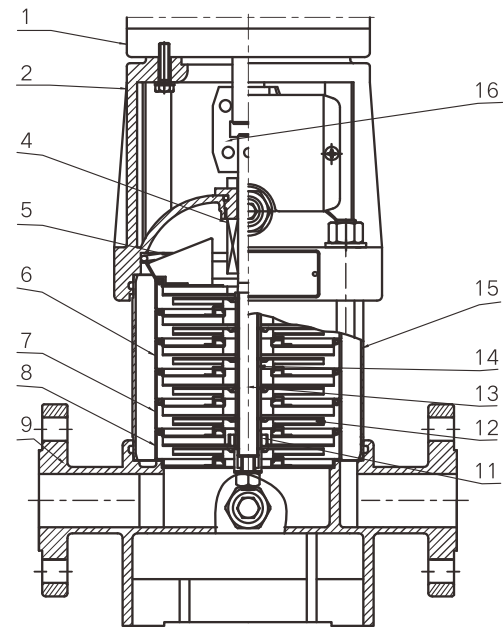
- Full-enclosed air-blast two-pole standard motor
- Protection class: IP55
- Insulation class: F
- Standard voltage: 50Hz: 1x220-230/240V  
3x200-220/346-380V  
3x220-240/380-415V  
3x380-415V

## ● Operation Conditions

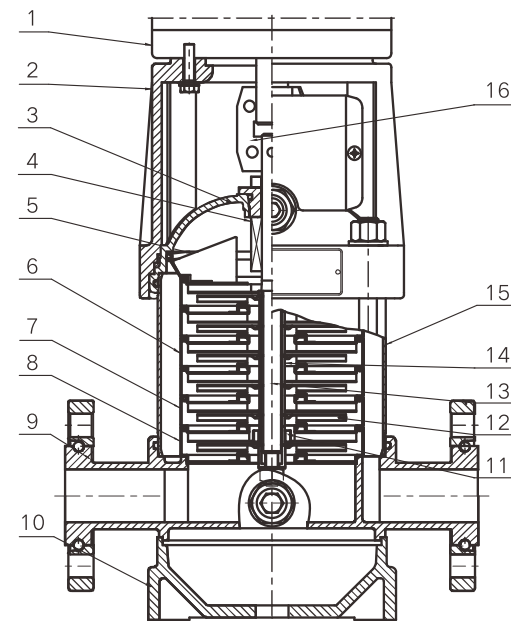
- Thin, clean, non-flammable and non-explosive liquid containing no solid granules and fibers.
- Liquid temperature:  
Normal temperature type: -15°C~+70°C  
Hot water type: -15°C~+120°C
- Ambient temperature: up to +40°C
- Altitude: up to 1000m



## ● Section Drawing MT(F)1,2,3,4,5



MT



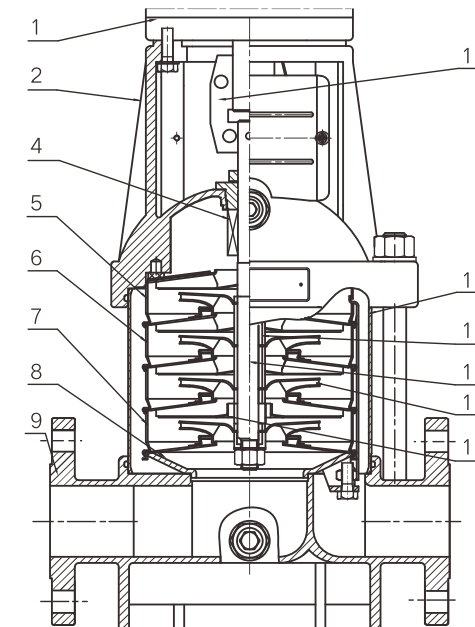
MTF

## ● Material MT(F)1,2,3,4,5

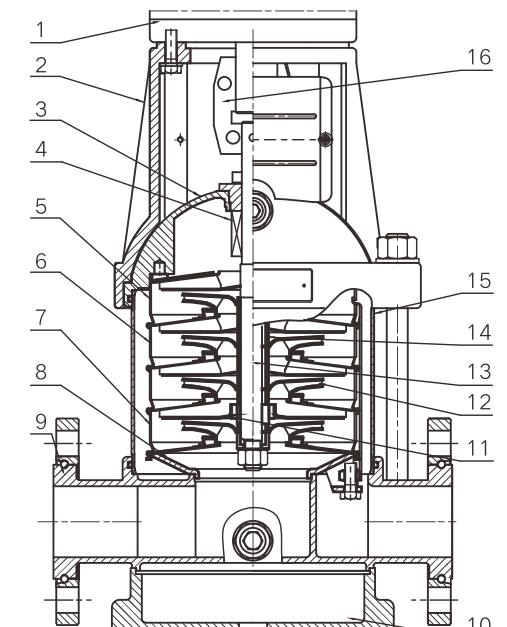
| NO. | Parts              | Material         | AISI/ASTM           |
|-----|--------------------|------------------|---------------------|
| 1   | Motor              |                  |                     |
| 2   | Support            | Cast Iron        | ASTM25B             |
| 4   | Mechanical Seal    |                  |                     |
| 5   | Outlet Guide Vane  | Stainless Steel  | AISI304             |
| 6   | Guide Vane         | Stainless Steel  | AISI304             |
| 7   | Support Guide Vane | Stainless Steel  | AISI304             |
| 8   | Water Inlet        | Stainless Steel  | AISI304             |
| 11  | Bearing            | Tungsten Carbide |                     |
| 12  | Impeller           | Stainless Steel  | AISI304             |
| 13  | Axle               | Stainless Steel  | AISI304<br>AISI316L |

| NO.        | Parts             | Material        | AISI/ASTM |
|------------|-------------------|-----------------|-----------|
| 14         | Spacer Sleeve     | Stainless Steel | AISI304   |
| 15         | Pressure Cylinder | Stainless Steel | AISI304   |
| 16         | Coupling          | Carbon Steel    |           |
| <b>MT</b>  |                   |                 |           |
| 9          | Water Section     | Stainless Steel | ASTM25B   |
| <b>MTF</b> |                   |                 |           |
| 3          | Pump Head         | Stainless Steel | AISI304   |
| 9          | Water Section     | Stainless Steel | AISI304   |
| 10         | Base              | Cast Iron       | ASTM25B   |

## ● Section Drawing MT(F)10,12,15,20



MT



MTF

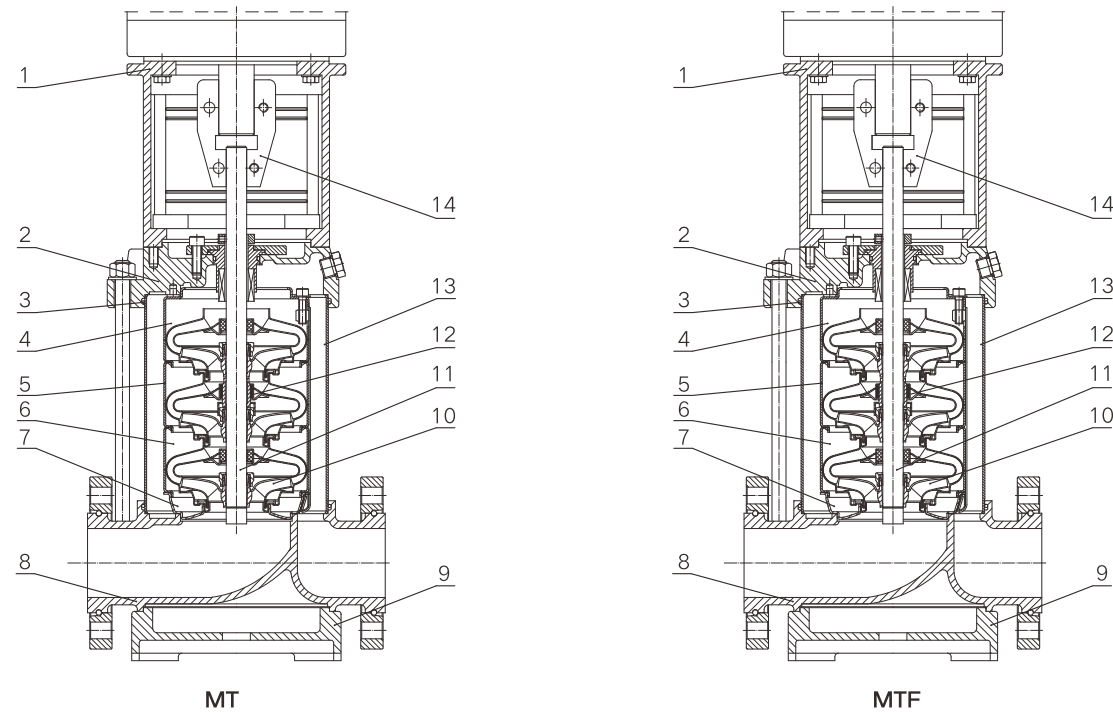
## ● Material MT(F)10,12,15,20

| NO. | Parts              | Material         | AISI/ASTM           |
|-----|--------------------|------------------|---------------------|
| 1   | Motor              |                  |                     |
| 2   | Support            | Cast Iron        | ASTM25B             |
| 4   | Mechanical Seal    |                  |                     |
| 5   | Outlet Guide Vane  | Stainless Steel  | AISI304             |
| 6   | Guide Vane         | Stainless Steel  | AISI304             |
| 7   | Support Guide Vane | Stainless Steel  | AISI304             |
| 8   | Water Inlet        | Stainless Steel  | AISI304             |
| 11  | Bearing            | Tungsten Carbide |                     |
| 12  | Impeller           | Stainless Steel  | AISI304             |
| 13  | Axle               | Stainless Steel  | AISI304<br>AISI316L |

| NO.        | Parts             | Material        | AISI/ASTM |
|------------|-------------------|-----------------|-----------|
| 14         | Spacer Sleeve     | Stainless Steel | AISI304   |
| 15         | Pressure Cylinder | Stainless Steel | AISI304   |
| 16         | Coupling          | Carbon Steel    |           |
| <b>MT</b>  |                   |                 |           |
| 9          | Water Section     | Cast Iron       | ASTM25B   |
| <b>MTF</b> |                   |                 |           |
| 3          | Pump Head         | Stainless Steel | AISI304   |
| 9          | Water Section     | Stainless Steel | AISI304   |
| 10         | Base              | Cast Iron       | ASTM25B   |



## ● Section Drawing MT(F)32,42,65,85

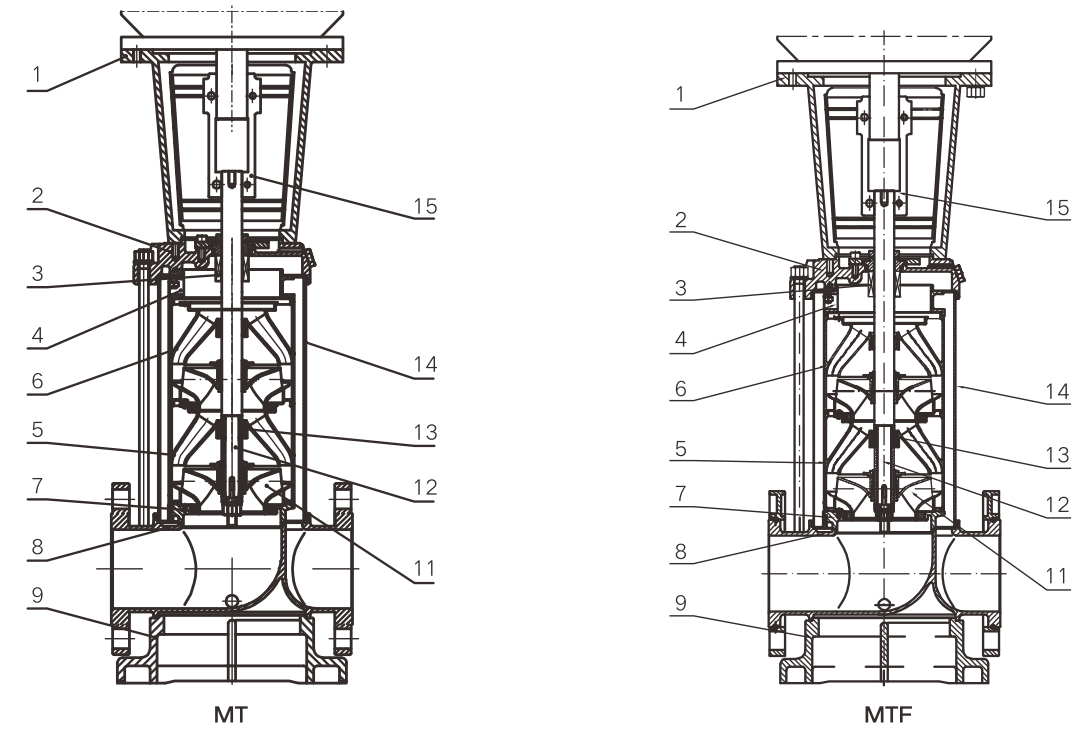


## ● Material MT(F)32,42,65,85

| NO. | Parts              | Material         | AISI/ASTM                      |
|-----|--------------------|------------------|--------------------------------|
| 1   | Support            | Cast Iron        | ASTM25B                        |
| 3   | Mechanical Seal    |                  |                                |
| 4   | Outlet Guide Vane  | Stainless Steel  | AISI304                        |
| 5   | Guide Vane         | Stainless Steel  | AISI304                        |
| 6   | Support Guide Vane | Stainless Steel  | AISI304                        |
| 7   | Water Inlet        | Stainless Steel  | AISI304                        |
| 9   | Base               | Cast Iron        | ASTM25B                        |
| 10  | Impeller           | Stainless Steel  | AISI304                        |
| 11  | Axis               | Stainless Steel  | AISI316L<br>AISI304<br>AISI431 |
| 12  | Shaft Sleeve       | Tungsten Carbide |                                |

| NO.        | Parts             | Material        | AISI/ASTM |
|------------|-------------------|-----------------|-----------|
| 13         | Pressure Cylinder | Stainless Steel | AISI304   |
| 14         | Coupling          | Carbon Steel    |           |
|            | Rubber Parts      | NBR             |           |
| <b>MT</b>  |                   |                 |           |
| 2          | Pump Head         | Stainless Steel | ASTM25B   |
| 8          | Water Section     | Cast Iron       | ASTM25B   |
| <b>MTF</b> |                   |                 |           |
| 2          | Pump Head         | Stainless Steel | AISI304   |
| 8          | Water Section     | Stainless Steel | AISI304   |

## ● Section Drawing MT(F)120,150,200



## ● Material MT(F)120,150,200

| NO. | Parts              | Material         | AISI/ASTM     |
|-----|--------------------|------------------|---------------|
| 1   | Support            | Cast Iron        | ASTM25B       |
| 3   | Mechanical Seal    |                  |               |
| 4   | Outlet Water Body  | Stainless Steel  | AISI304       |
| 5   | Support Guide Vane | Stainless Steel  | AISI304       |
| 6   | Guide Vane         | Stainless Steel  | AISI304       |
| 7   | Water Inlet        | Stainless Steel  | AISI304       |
| 9   | Base               | Cast Iron        | ASTM 80-55-06 |
| 11  | Impeller           | Stainless Steel  | AISI304       |
| 12  | Axis               | Stainless Steel  | AISI304       |
| 13  | Shaft Sleeve       | Tungsten Carbide |               |

| NO.        | Parts             | Material        | AISI/ASTM     |
|------------|-------------------|-----------------|---------------|
| 14         | Pressure Cylinder | Stainless Steel | AISI304       |
| 15         | Coupling          | Carbon Steel    |               |
|            | Rubber Parts      | NBR             |               |
| <b>MT</b>  |                   |                 |               |
| 2          | Pump Head         | Cast Iron       | ASTM 80-55-06 |
| 8          | Water Section     | Cast Iron       | ASTM 80-55-06 |
| <b>MTF</b> |                   |                 |               |
| 2          | Pump Head         | Stainless Steel | AISI304       |
| 8          | Water Section     | Stainless Steel | AISI304       |



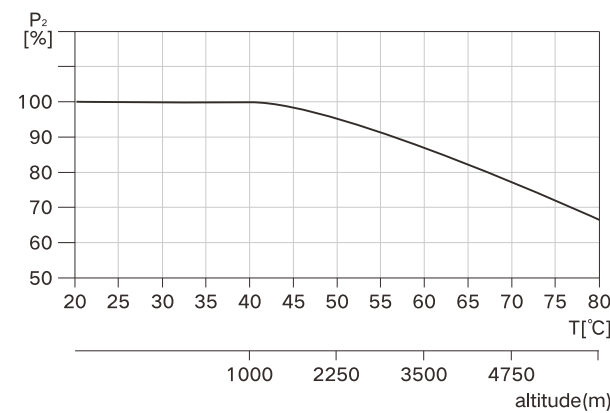
## ● Max.Working Pressure

| Model  | Maximum Working Pressure (bar) |
|--|--------------------------------|
| MT1,2,3,4,5 Flange   | 25                             |
| MT(F)1,2,3,4,5 Oval Flange                                     | 16                             |
| MT(F)1,2,3,4,5 Flange, cutting ferrule joint, pipe thread      | 25                             |
| MT8,10,12,15,20 Flange   | 25                             |
| MT(F)8,10 Oval Flange  | 16                             |
| MT(F)8,10,12,15,205 Flange, cutting ferrule joint, pipe thread | 25                             |
| <b>MT32</b>  |                                |
| 32-1-1~32-8  | 16(30)                         |
| 32-9-2~32-16   | 30                             |
| <b>MT42</b>  |                                |
| 42-1-1~42-6-2  | 16(30)                         |
| 42-6~42-9  | 25(30)                         |
| 42-10-2~42-13-2  | 30                             |
| <b>MT(F)42</b>   |                                |
| 42-1-1~42-9  | 25(30)                         |
| 42-10-2~42-13-2  | 30                             |
| <b>MT65</b>  |                                |
| 65-1-1~65-5-2  | 16(25)                         |
| 65-5-1~65-8-1  | 25                             |
| <b>MT865</b>   |                                |
| 85-1-1~85  | 16(25)                         |
| 85-4~85-6  | 25                             |
| MT(F)65,85   | 25                             |
| MT(F)120,150,200   | 20                             |

( ) Internal pressure requires special ordering.

## ● Max.Ambient Temperature

When the pump operates under ambient temperature higher than 40°C or under altitude higher than 1000m. because of low air density and poor cooling effects, the motor output power P2 will be decreased to certain extent. If the pump is operated under the above-said conditions, it should be equipped with motor of higher power.



## ● Minimum Inlet Pressure NPSH

In case that the pressure in pump is lower than the steam pressure used to convey liquid, the cavitation will occur. To avoid cavitations, a minimum pressure at the inlet side of the pump shall be guaranteed. The maximum suction stroke can be calculable with Following formula:

$$H = P_b \times 10.2 - NPSH - H_f - H_v - H_s$$

Pb-atmosphere pressure [bar] (can be set as 1bar)

In a closed system, Pb means system pressure [bar]

NPSH=Net positive suction head [m] (It can be read out from the point of possible)

Max.flow rate shown on NPSH curve)

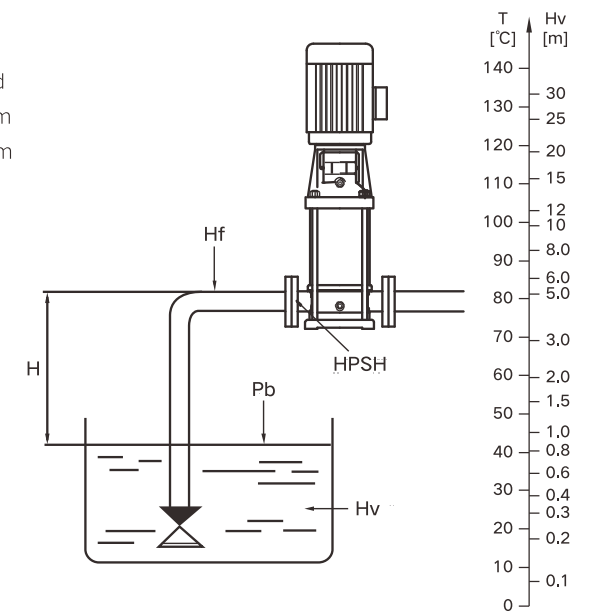
Hf=Pipeline loss at the inlet [m]

Hv=Steam pressure[m]

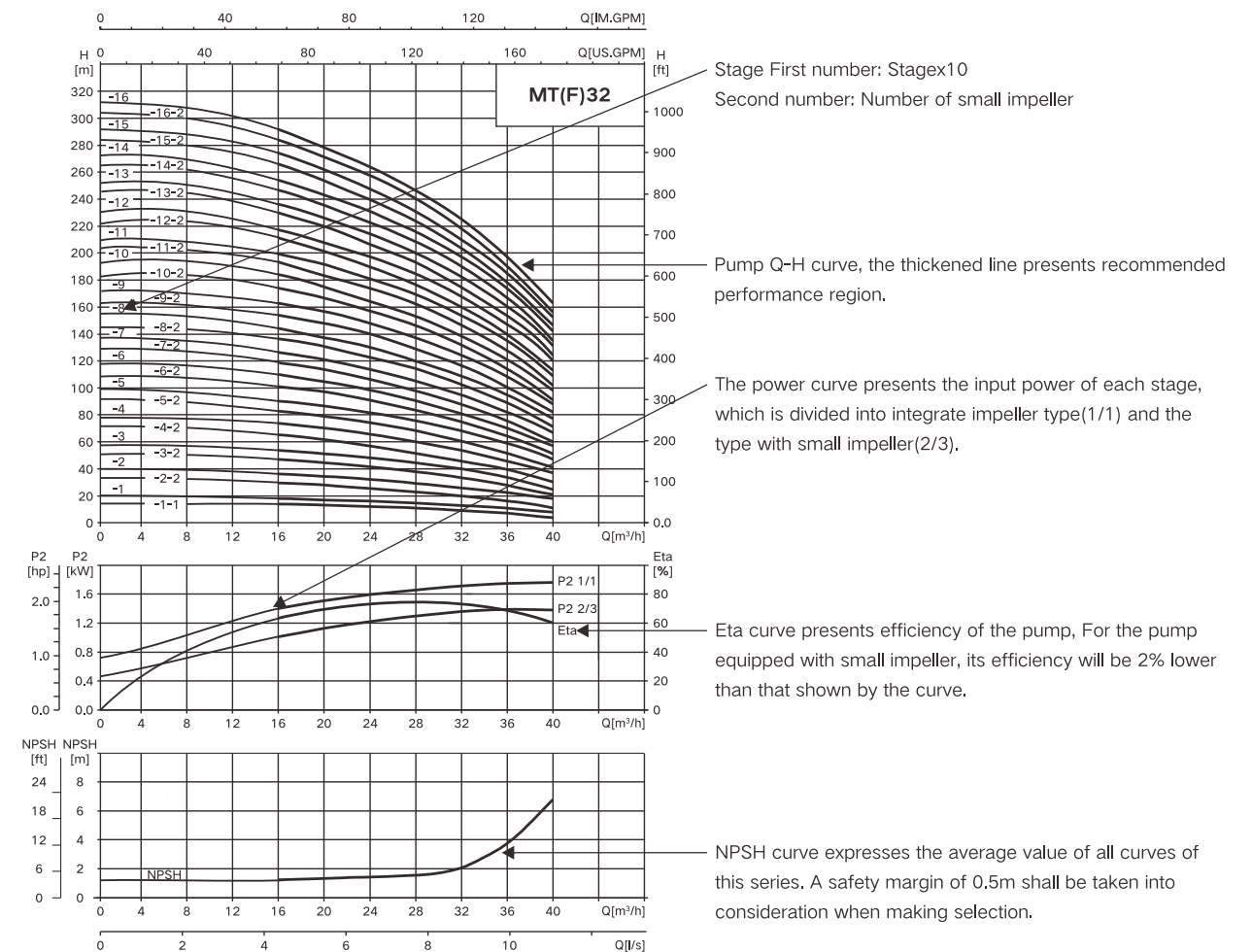
Hs=Safety margin=Minimum 0.5m delivery head

If the calculated result H is positive, the pump may run under the max.Suction stroke H.

In case the calculated result H is negative, a delivery head of min. inlet pressure is necessary.

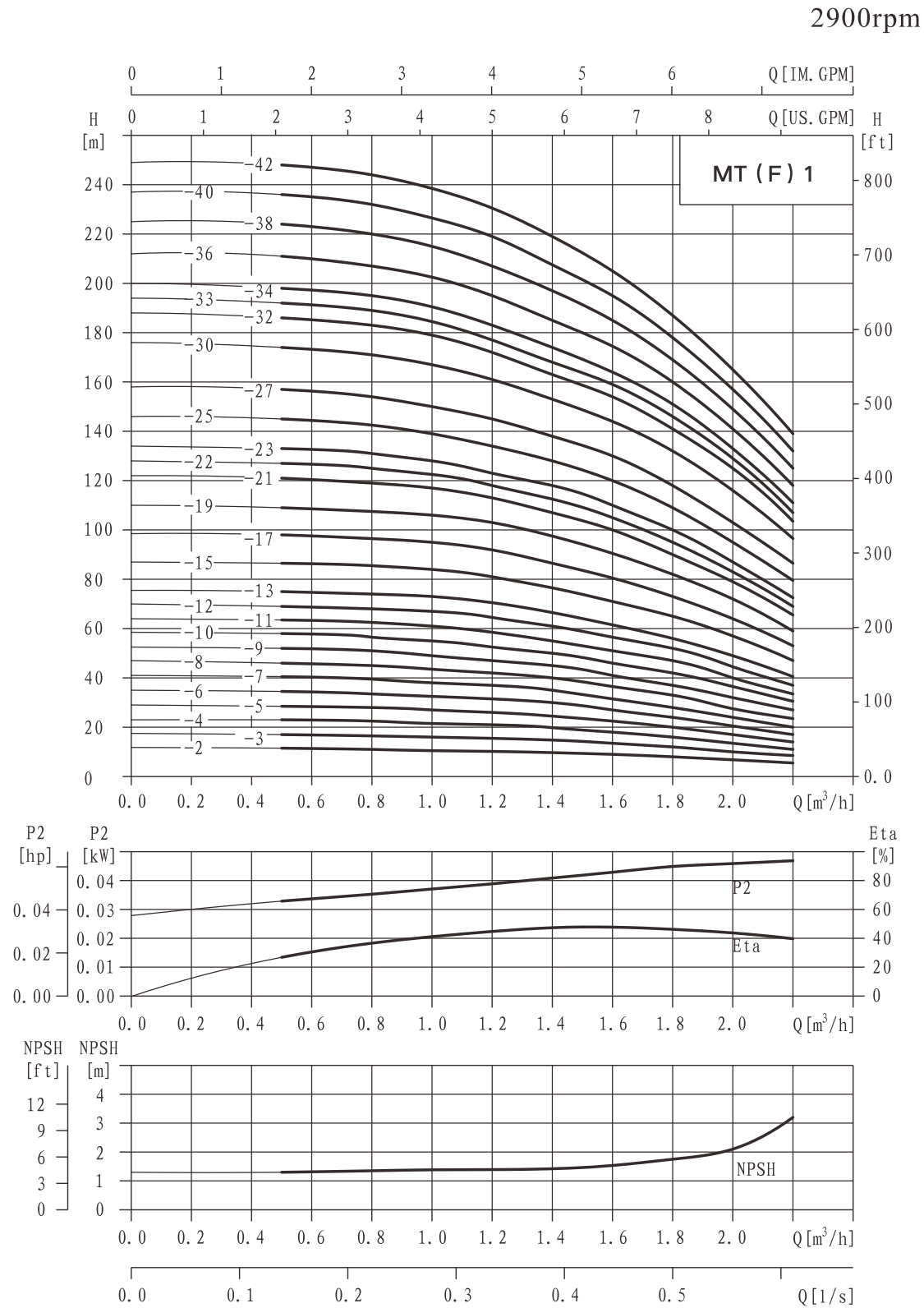


Check to ensure that the pump is not/is not in a cavitation state





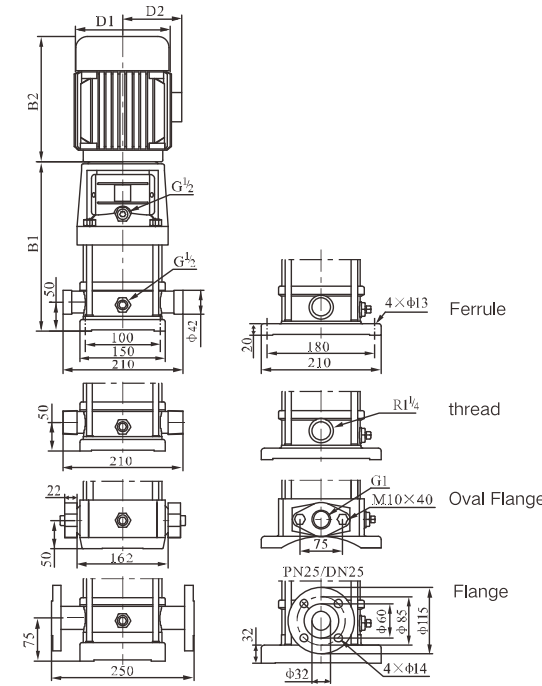
## ● Performance Curve



## ● Performance Table

| Model     | Power (kW) | Q (m³/h) | 0    | 0.5  | 0.8   | 1     | 1.2  | 1.4   | 1.6  | 1.8 | 2    | 2.2   |
|-----------|------------|----------|------|------|-------|-------|------|-------|------|-----|------|-------|
| MT(F)1-2  | 0.37       | H(m)     | 11.8 | 11.5 | 11    | 10.5  | 10.2 | 9.7   | 9    | 8   | 6.8  | 5.5   |
| MT(F)1-3  | 0.37       |          | 17.5 | 17   | 16.5  | 16    | 15.5 | 14.8  | 13.5 | 12  | 10   | 8.5   |
| MT(F)1-4  | 0.37       |          | 23   | 23   | 22.5  | 21.5  | 21   | 19.8  | 18   | 16  | 13.5 | 11    |
| MT(F)1-5  | 0.37       |          | 29   | 28.5 | 28    | 27    | 26   | 24.5  | 22.5 | 20  | 17   | 14    |
| MT(F)1-6  | 0.37       |          | 35   | 34.5 | 33.5  | 32.5  | 31.5 | 30    | 27   | 24  | 20.5 | 17    |
| MT(F)1-7  | 0.37       |          | 41   | 40.5 | 39.5  | 38    | 37   | 35    | 31.5 | 28  | 24   | 20    |
| MT(F)1-8  | 0.37       |          | 47   | 46   | 45    | 43.5  | 42   | 40    | 36.5 | 33  | 27.5 | 23.5  |
| MT(F)1-9  | 0.55       |          | 52.5 | 52   | 51    | 49    | 47   | 45    | 41   | 37  | 32   | 27    |
| MT(F)1-10 | 0.55       |          | 58.5 | 58   | 56.5  | 55    | 52.5 | 50    | 46   | 42  | 36.5 | 30.5  |
| MT(F)1-11 | 0.55       |          | 64   | 63.5 | 62.5  | 61    | 58.5 | 55    | 51   | 47  | 40   | 33.5  |
| MT(F)1-12 | 0.55       |          | 70   | 69   | 68    | 67    | 64.5 | 61    | 56.5 | 52  | 44.5 | 37    |
| MT(F)1-13 | 0.75       |          | 75.5 | 75   | 74    | 73    | 70   | 66.5  | 61.5 | 56  | 49   | 40.5  |
| MT(F)1-15 | 0.75       |          | 87   | 86.5 | 85.5  | 84    | 81   | 76.5  | 71   | 65  | 57   | 47    |
| MT(F)1-17 | 0.75       |          | 98.5 | 98   | 96.5  | 95    | 92   | 86.5  | 80.5 | 73  | 64   | 53    |
| MT(F)1-19 | 1.1        |          | 110  | 109  | 107.5 | 106   | 103  | 96.5  | 90.5 | 82  | 72   | 59    |
| MT(F)1-21 | 1.1        |          | 122  | 121  | 119   | 117   | 113  | 107   | 100  | 90  | 79   | 65.5  |
| MT(F)1-22 | 1.1        |          | 128  | 127  | 125   | 122.5 | 118  | 112.5 | 105  | 95  | 83   | 69    |
| MT(F)1-23 | 1.1        |          | 134  | 133  | 131   | 128   | 123  | 118   | 110  | 100 | 87   | 72.5  |
| MT(F)1-25 | 1.5        |          | 146  | 145  | 142.5 | 139   | 134  | 128   | 120  | 109 | 95   | 79.5  |
| MT(F)1-27 | 1.5        |          | 158  | 157  | 154   | 150   | 145  | 138   | 130  | 118 | 103  | 86.5  |
| MT(F)1-30 | 1.5        |          | 176  | 174  | 171   | 167   | 161  | 153   | 145  | 132 | 116  | 96.5  |
| MT(F)1-32 | 1.5        |          | 188  | 186  | 183   | 179   | 172  | 163   | 155  | 141 | 125  | 103.5 |
| MT(F)1-33 | 2.2        |          | 194  | 192  | 189   | 185   | 177  | 168   | 160  | 146 | 129  | 107   |
| MT(F)1-34 | 2.2        |          | 200  | 198  | 195   | 191   | 183  | 173   | 165  | 151 | 133  | 111   |
| MT(F)1-36 | 2.2        |          | 212  | 211  | 207   | 203   | 195  | 184   | 175  | 160 | 141  | 118   |
| MT(F)1-38 | 2.2        |          | 225  | 224  | 220   | 215   | 207  | 194   | 185  | 169 | 149  | 125   |
| MT(F)1-40 | 2.2        |          | 237  | 236  | 230   | 226   | 219  | 205   | 195  | 178 | 157  | 132   |
| MT(F)1-42 | 2.2        |          | 249  | 248  | 244   | 237   | 231  | 215   | 205  | 187 | 165  | 139   |

## ● Installations Sketch

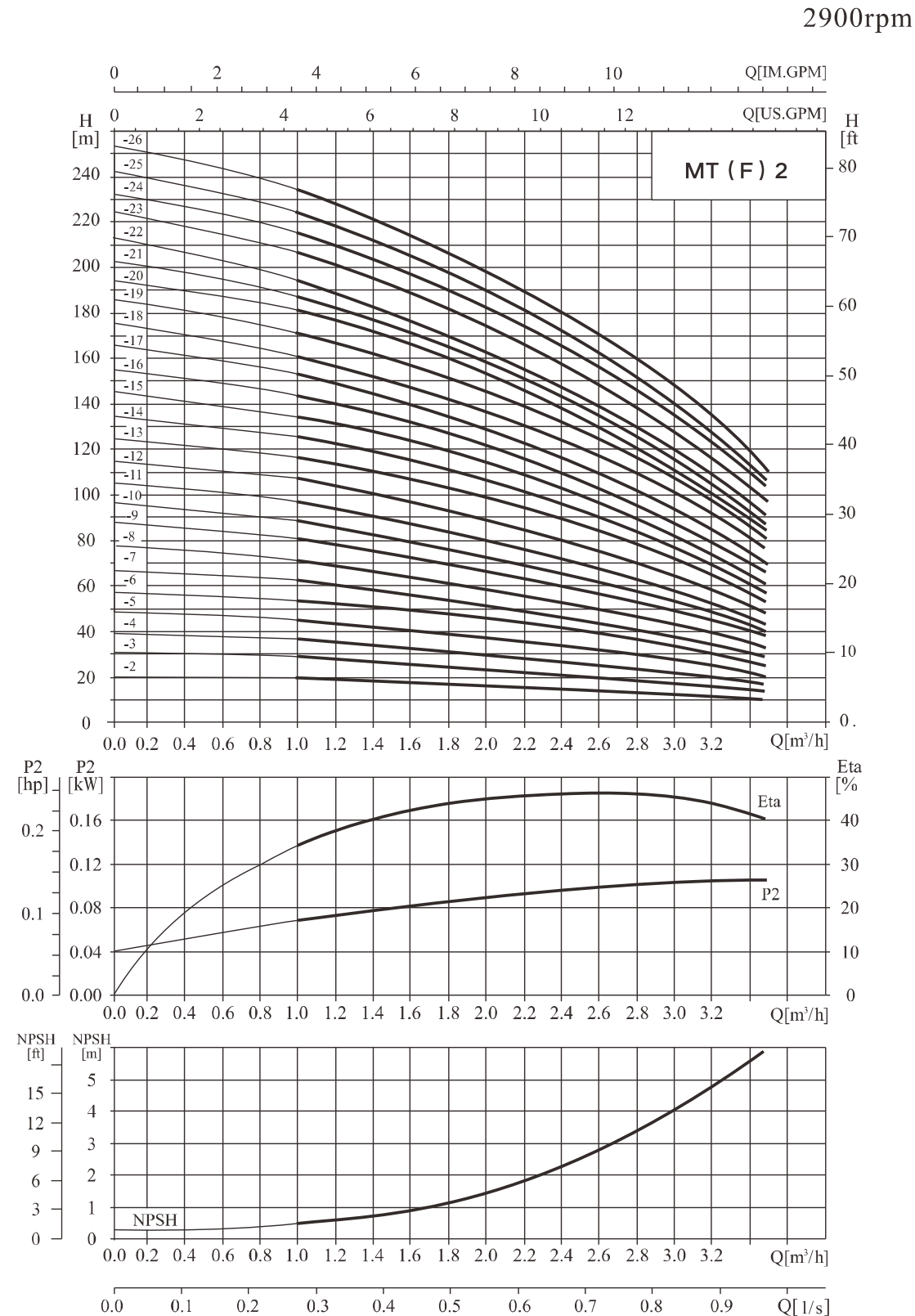


There are changes in the overall dimensions of single-phase motors and flameproof motors connected to the MT 1-27,1-42 waistless flange type pipeline. Please consult our company for details.

## ● Size and Weight

| Model     | Installation Dimensions |     |       |     |     | Weight (kg) |
|-----------|-------------------------|-----|-------|-----|-----|-------------|
|           | B1                      | B2  | B1+B2 | D1  | D2  |             |
| MT(F)1-2  | 258                     | 225 | 483   | 148 | 117 | 23          |
| MT(F)1-3  | 276                     | 225 | 501   | 148 | 117 | 23          |
| MT(F)1-4  | 294                     | 225 | 519   | 148 | 117 | 24          |
| MT(F)1-5  | 312                     | 225 | 537   | 148 | 117 | 24          |
| MT(F)1-6  | 330                     | 225 | 555   | 148 | 117 | 25          |
| MT(F)1-7  | 348                     | 225 | 573   | 148 | 117 | 25          |
| MT(F)1-8  | 366                     | 225 | 591   | 148 | 117 | 28          |
| MT(F)1-9  | 384                     | 225 | 609   | 148 | 117 | 28          |
| MT(F)1-10 | 402                     | 225 | 627   | 148 | 117 | 29          |
| MT(F)1-11 | 420                     | 225 | 645   | 148 | 117 | 30          |
| MT(F)1-12 | 448                     | 245 | 693   | 170 | 142 | 33          |
| MT(F)1-13 | 166                     | 245 | 711   | 170 | 142 | 34          |
| MT(F)1-15 | 502                     | 245 | 747   | 170 | 142 | 35          |
| MT(F)1-17 | 538                     | 245 | 783   | 170 | 142 | 36          |
| MT(F)1-19 | 574                     | 245 | 819   | 170 | 142 | 37          |
| MT(F)1-21 | 610                     | 245 | 855   | 170 | 142 | 38          |
| MT(F)1-22 | 628                     | 245 | 873   | 170 | 142 | 38          |
| MT(F)1-23 | 646                     | 290 | 936   | 190 | 155 | 43          |
| MT(F)1-25 | 692                     | 290 | 982   | 190 | 155 | 44          |
| MT(F)1-27 | 728                     | 290 | 1018  | 190 | 155 | 45          |
| MT(F)1-30 | 782                     | 290 | 1072  | 190 | 155 | 46          |
| MT(F)1-32 | 818                     | 290 | 1108  | 190 | 155 | 48          |
| MT(F)1-33 | 836                     | 290 | 1126  | 190 | 155 | 48          |
| MT(F)1-34 | 854                     | 290 | 1144  | 190 | 155 | 49          |
| MT(F)1-36 | 890                     | 290 | 1180  | 190 | 155 | 49          |
| MT(F)1-38 | 926                     | 290 | 1216  | 190 | 155 | 50          |
| MT(F)1-40 | 962                     | 290 | 1252  | 190 | 155 | 51          |
| MT(F)1-42 | 998                     | 290 | 1288  | 190 | 155 | 52          |

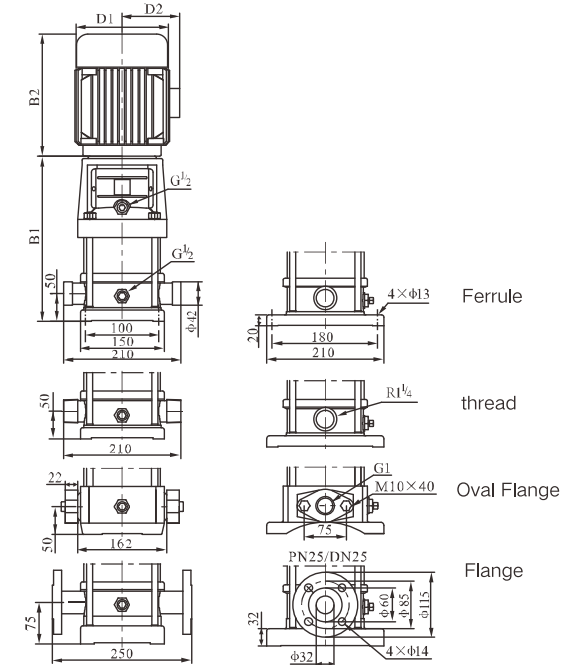
## ● Performance Curve



## ● Performance Table

| Model     | Power (kW) | Q (m³/h) | 1   | 1.2 | 1.6 | 2   | 2.4 | 2.8 | 3.2 | 3.5 |
|-----------|------------|----------|-----|-----|-----|-----|-----|-----|-----|-----|
| MT(F)2-2  | 0.37       | H(m)     | 18  | 17  | 16  | 15  | 13  | 12  | 10  | 8   |
| MT(F)2-3  | 0.37       |          | 27  | 26  | 24  | 22  | 20  | 18  | 15  | 12  |
| MT(F)2-4  | 0.55       |          | 36  | 35  | 33  | 30  | 26  | 24  | 20  | 16  |
| MT(F)2-5  | 0.55       |          | 45  | 43  | 40  | 37  | 33  | 30  | 24  | 20  |
| MT(F)2-6  | 0.75       |          | 53  | 52  | 50  | 45  | 40  | 36  | 30  | 24  |
| MT(F)2-7  | 0.75       |          | 63  | 61  | 57  | 52  | 47  | 41  | 35  | 28  |
| MT(F)2-9  | 1.1        |          | 80  | 78  | 73  | 67  | 61  | 54  | 45  | 37  |
| MT(F)2-11 | 1.1        |          | 98  | 95  | 89  | 82  | 73  | 64  | 54  | 44  |
| MT(F)2-13 | 1.5        |          | 116 | 114 | 106 | 98  | 89  | 78  | 65  | 52  |
| MT(F)2-15 | 1.5        |          | 134 | 130 | 123 | 112 | 100 | 90  | 73  | 60  |
| MT(F)2-18 | 2.2        |          | 161 | 157 | 148 | 136 | 121 | 108 | 91  | 76  |
| MT(F)2-22 | 2.2        |          | 197 | 192 | 180 | 165 | 148 | 130 | 110 | 90  |
| MT(F)2-26 | 3          | 232      | 228 | 214 | 198 | 179 | 158 | 130 | 110 |     |

## ● Installations Sketch



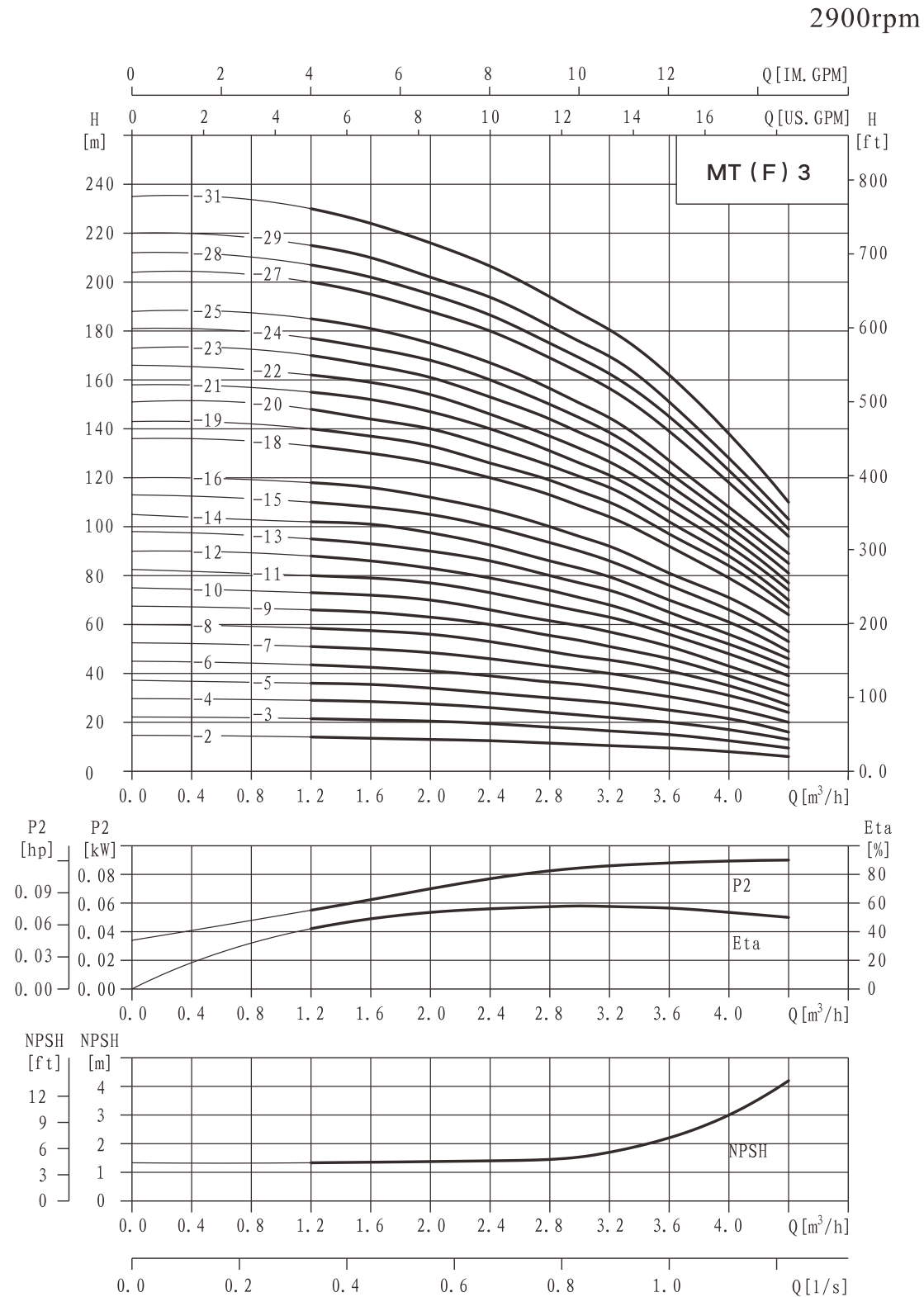
There are changes in the overall dimensions of single-phase motors and flameproof motors connected to the MT2-18 ~2-26 waist less flange type pipeline. Please consult our company for details.

## ● Size and Weight

| Model     | Installation Dimensions |     |       |     |     | Weight (kg) |
|-----------|-------------------------|-----|-------|-----|-----|-------------|
|           | B1                      | B2  | B1+B2 | D1  | D2  |             |
| MT(F)2-2  | 258                     | 225 | 483   | 148 | 117 | 24          |
| MT(F)2-3  | 276                     | 225 | 501   | 148 | 117 | 24          |
| MT(F)2-4  | 294                     | 225 | 519   | 148 | 117 | 25          |
| MT(F)2-5  | 312                     | 225 | 537   | 148 | 117 | 26          |
| MT(F)2-6  | 340                     | 245 | 585   | 170 | 142 | 30          |
| MT(F)2-7  | 358                     | 245 | 603   | 170 | 142 | 30          |
| MT(F)2-9  | 394                     | 245 | 639   | 170 | 142 | 33          |
| MT(F)2-11 | 430                     | 245 | 675   | 170 | 142 | 34          |
| MT(F)2-13 | 476                     | 290 | 766   | 190 | 155 | 40          |
| MT(F)2-15 | 512                     | 290 | 802   | 190 | 155 | 42          |
| MT(F)2-18 | 566                     | 290 | 856   | 190 | 155 | 46          |
| MT(F)2-22 | 638                     | 290 | 928   | 190 | 155 | 47          |
| MT(F)2-26 | 720                     | 345 | 1065  | 197 | 165 | 53          |



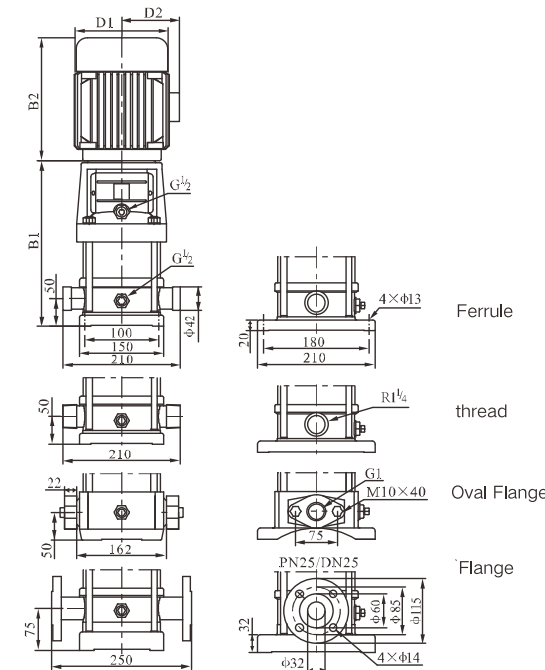
## ● Performance Curve



## ● Performance Table

| Model     | Power (kW) | Q (m³/h) | 0    | 1.2  | 1.6  | 2    | 2.4  | 2.8  | 3   | 3.2  | 3.6  | 4    | 4.4  |
|-----------|------------|----------|------|------|------|------|------|------|-----|------|------|------|------|
| MT(F)3-2  | 0.37       | H(m)     | 14.7 | 14   | 13.5 | 13   | 12.5 | 11.5 | 11  | 10.5 | 9.5  | 8    | 6    |
| MT(F)3-3  | 0.37       |          | 22.2 | 21.5 | 21   | 20.5 | 19.5 | 18   | 17  | 16.5 | 15   | 12.5 | 9.5  |
| MT(F)3-4  | 0.37       |          | 29.7 | 29   | 28.5 | 27.5 | 26   | 24   | 23  | 22   | 20.5 | 17   | 13   |
| MT(F)3-5  | 0.55       |          | 37.2 | 36   | 35.5 | 34   | 32   | 30   | 29  | 28   | 25.5 | 21.5 | 16   |
| MT(F)3-6  | 0.55       |          | 45   | 43.5 | 42.5 | 41   | 39   | 36.5 | 35  | 34   | 30.5 | 26   | 20   |
| MT(F)3-7  | 0.75       |          | 52.5 | 51   | 50   | 49   | 46   | 43   | 41  | 40   | 36   | 31   | 24   |
| MT(F)3-8  | 0.75       |          | 60   | 58.5 | 57.5 | 56   | 53   | 49   | 47  | 45.5 | 41   | 35   | 27   |
| MT(F)3-9  | 1.1        |          | 67.5 | 66   | 65   | 63   | 60   | 55   | 53  | 51.5 | 46   | 39   | 31   |
| MT(F)3-10 | 1.1        |          | 75   | 73   | 72   | 70   | 66   | 61   | 59  | 57   | 51   | 43   | 35   |
| MT(F)3-11 | 1.1        |          | 82.5 | 80   | 79   | 77   | 73   | 68   | 65  | 63   | 56   | 48   | 39   |
| MT(F)3-12 | 1.1        |          | 90   | 88   | 86   | 83   | 79   | 74   | 71  | 68   | 60   | 52   | 42.5 |
| MT(F)3-13 | 1.5        |          | 98   | 95   | 93   | 90   | 86   | 80   | 77  | 74   | 65   | 56   | 46   |
| MT(F)3-14 | 1.5        |          | 105  | 102  | 101  | 97.5 | 92.5 | 86   | 83  | 80   | 70   | 61   | 49   |
| MT(F)3-15 | 1.5        |          | 113  | 110  | 108  | 105  | 100  | 93   | 90  | 86   | 76   | 66   | 53   |
| MT(F)3-16 | 1.5        |          | 120  | 118  | 116  | 112  | 107  | 100  | 96  | 92   | 81   | 71   | 57   |
| MT(F)3-18 | 2.2        |          | 136  | 133  | 130  | 126  | 120  | 113  | 108 | 104  | 92   | 79   | 64   |
| MT(F)3-19 | 2.2        |          | 143  | 140  | 137  | 133  | 126  | 119  | 114 | 110  | 97   | 84   | 67   |
| MT(F)3-20 | 2.2        |          | 151  | 148  | 144  | 140  | 133  | 125  | 120 | 116  | 102  | 88   | 70   |
| MT(F)3-21 | 2.2        |          | 158  | 155  | 152  | 147  | 140  | 131  | 126 | 122  | 107  | 92   | 74   |
| MT(F)3-22 | 2.2        |          | 166  | 162  | 159  | 154  | 146  | 137  | 132 | 127  | 112  | 96   | 77   |
| MT(F)3-23 | 2.2        |          | 173  | 170  | 166  | 161  | 153  | 144  | 138 | 133  | 117  | 100  | 81   |
| MT(F)3-24 | 2.2        |          | 181  | 177  | 173  | 168  | 160  | 150  | 144 | 139  | 122  | 104  | 85   |
| MT(F)3-25 | 3          |          | 188  | 185  | 181  | 175  | 167  | 156  | 150 | 145  | 127  | 108  | 89   |
| MT(F)3-27 | 3          |          | 204  | 200  | 195  | 188  | 180  | 169  | 162 | 157  | 139  | 118  | 96   |
| MT(F)3-28 | 3          |          | 212  | 207  | 202  | 195  | 187  | 175  | 168 | 163  | 145  | 123  | 99   |
| MT(F)3-29 | 3          |          | 220  | 215  | 210  | 202  | 194  | 182  | 175 | 170  | 151  | 128  | 103  |
| MT(F)3-31 | 3          |          | 235  | 230  | 224  | 216  | 207  | 194  | 187 | 181  | 162  | 138  | 110  |

## ● Installations Sketch

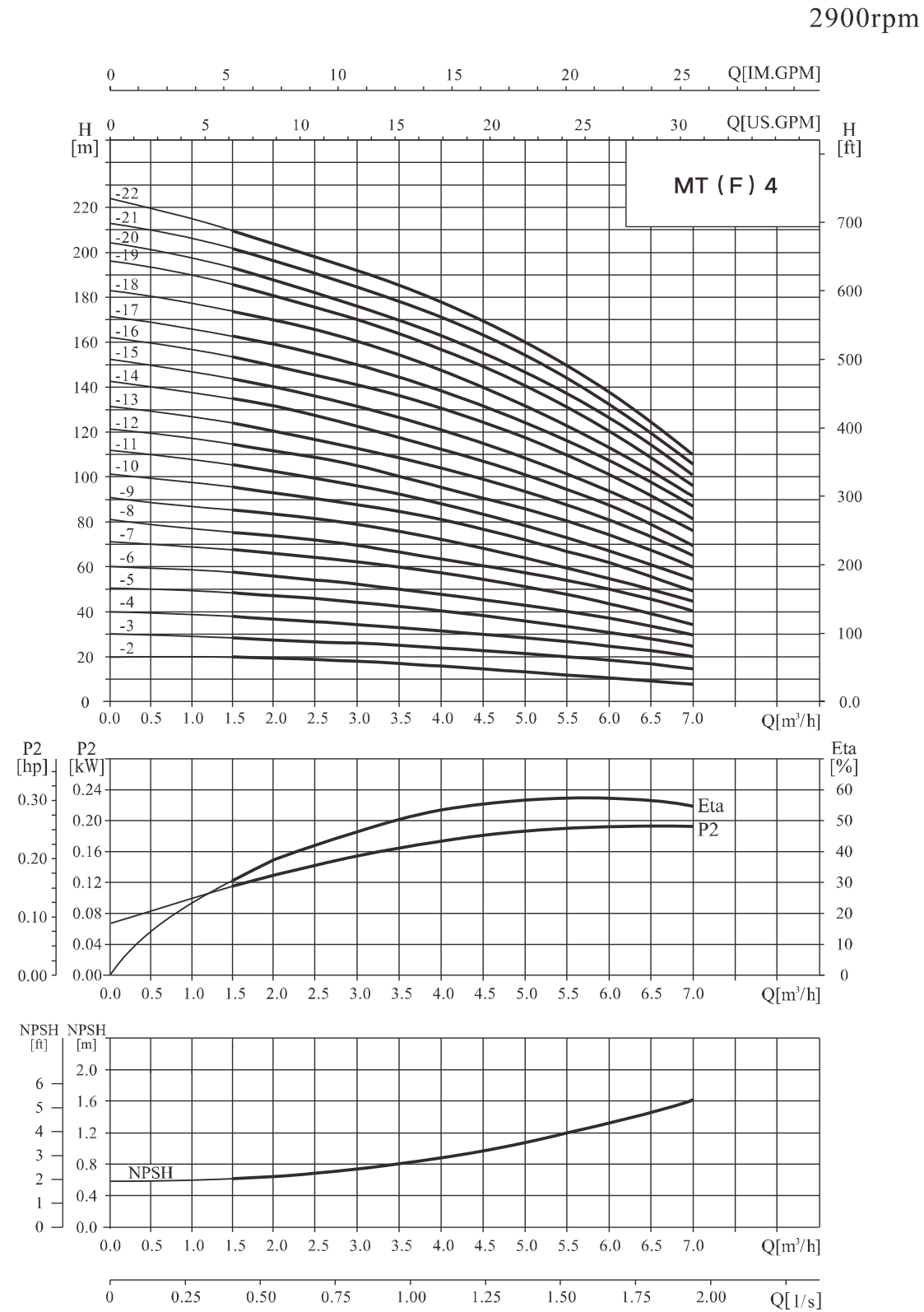


MT3-21~3-31 waist less flange type pipeline connection single-phase motor and explosion-proof motor have changed in overall dimensions. Please consult our company for details

## ● Size and Weight

| Model     | Installation Dimensions |     |       |     |     | Weight (kg) |
|-----------|-------------------------|-----|-------|-----|-----|-------------|
|           | B1                      | B2  | B1+B2 | D1  | D2  |             |
| MT(F)3-2  | 258                     | 225 | 483   | 148 | 117 | 23          |
| MT(F)3-3  | 276                     | 225 | 501   | 148 | 117 | 23          |
| MT(F)3-4  | 294                     | 225 | 519   | 148 | 117 | 24          |
| MT(F)3-5  | 312                     | 225 | 537   | 148 | 117 | 24          |
| MT(F)3-6  | 330                     | 225 | 555   | 148 | 117 | 25          |
| MT(F)3-7  | 358                     | 245 | 603   | 170 | 142 | 30          |
| MT(F)3-8  | 376                     | 245 | 621   | 170 | 142 | 30          |
| MT(F)3-9  | 394                     | 245 | 639   | 170 | 142 | 31          |
| MT(F)3-10 | 412                     | 245 | 657   | 170 | 142 | 31          |
| MT(F)3-11 | 430                     | 245 | 675   | 170 | 142 | 32          |
| MT(F)3-12 | 448                     | 245 | 693   | 170 | 142 | 32          |
| MT(F)3-13 | 476                     | 290 | 766   | 190 | 155 | 39          |
| MT(F)3-14 | 494                     | 290 | 784   | 190 | 155 | 39          |
| MT(F)3-15 | 512                     | 290 | 802   | 190 | 155 | 40          |
| MT(F)3-16 | 530                     | 290 | 820   | 190 | 155 | 40          |
| MT(F)3-18 | 566                     | 290 | 856   | 190 | 155 | 44          |
| MT(F)3-19 | 584                     | 290 | 874   | 190 | 155 | 44          |
| MT(F)3-20 | 602                     | 290 | 892   | 190 | 155 | 45          |
| MT(F)3-21 | 620                     | 290 | 910   | 190 | 155 | 45          |
| MT(F)3-22 | 638                     | 290 | 928   | 190 | 155 | 46          |
| MT(F)3-23 | 656                     | 290 | 946   | 190 | 155 | 46          |
| MT(F)3-24 | 674                     | 290 | 964   | 190 | 155 | 47          |
| MT(F)3-25 | 702                     | 345 | 1047  | 197 | 165 | 55          |
| MT(F)3-27 | 738                     | 345 | 1083  | 197 | 165 | 56          |
| MT(F)3-28 | 756                     | 345 | 1101  | 197 | 165 | 57          |
| MT(F)3-29 | 774                     | 345 | 1119  | 197 | 165 | 57          |
| MT(F)3-31 | 810                     | 345 | 1155  | 197 | 165 | 58          |

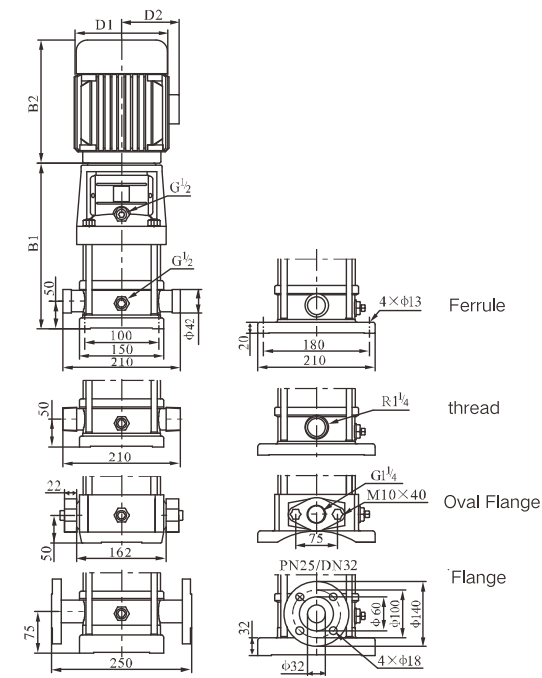
## ● Performance Curve



## ● Performance Table

| Model     | Power (kW) | Q (m³/h) | 1.5 | 2   | 3   | 4   | 5   | 6   | 7  |
|-----------|------------|----------|-----|-----|-----|-----|-----|-----|----|
| MT(F)4-2  | 0.37       | H(m)     | 19  | 18  | 17  | 15  | 13  | 10  | 8  |
| MT(F)4-3  | 0.55       |          | 28  | 27  | 26  | 24  | 20  | 18  | 13 |
| MT(F)4-4  | 0.75       |          | 38  | 36  | 34  | 32  | 27  | 24  | 19 |
| MT(F)4-5  | 1.1        |          | 47  | 45  | 43  | 40  | 34  | 31  | 23 |
| MT(F)4-6  | 1.1        |          | 56  | 54  | 52  | 48  | 41  | 37  | 28 |
| MT(F)4-7  | 1.5        |          | 66  | 63  | 61  | 56  | 48  | 43  | 33 |
| MT(F)4-8  | 1.5        |          | 74  | 72  | 70  | 64  | 55  | 50  | 38 |
| MT(F)4-10 | 2.2        |          | 96  | 90  | 87  | 81  | 71  | 62  | 48 |
| MT(F)4-12 | 2.2        |          | 114 | 108 | 104 | 95  | 85  | 75  | 58 |
| MT(F)4-14 | 3          |          | 136 | 126 | 122 | 112 | 101 | 89  | 68 |
| MT(F)4-16 | 3          |          | 152 | 144 | 140 | 129 | 115 | 101 | 78 |
| MT(F)4-19 | 4          |          | 183 | 171 | 168 | 153 | 137 | 122 | 93 |
| MT(F)4-22 | 4          | 211      | 200 | 192 | 178 | 160 | 138 | 108 |    |

## ● Installations Sketch



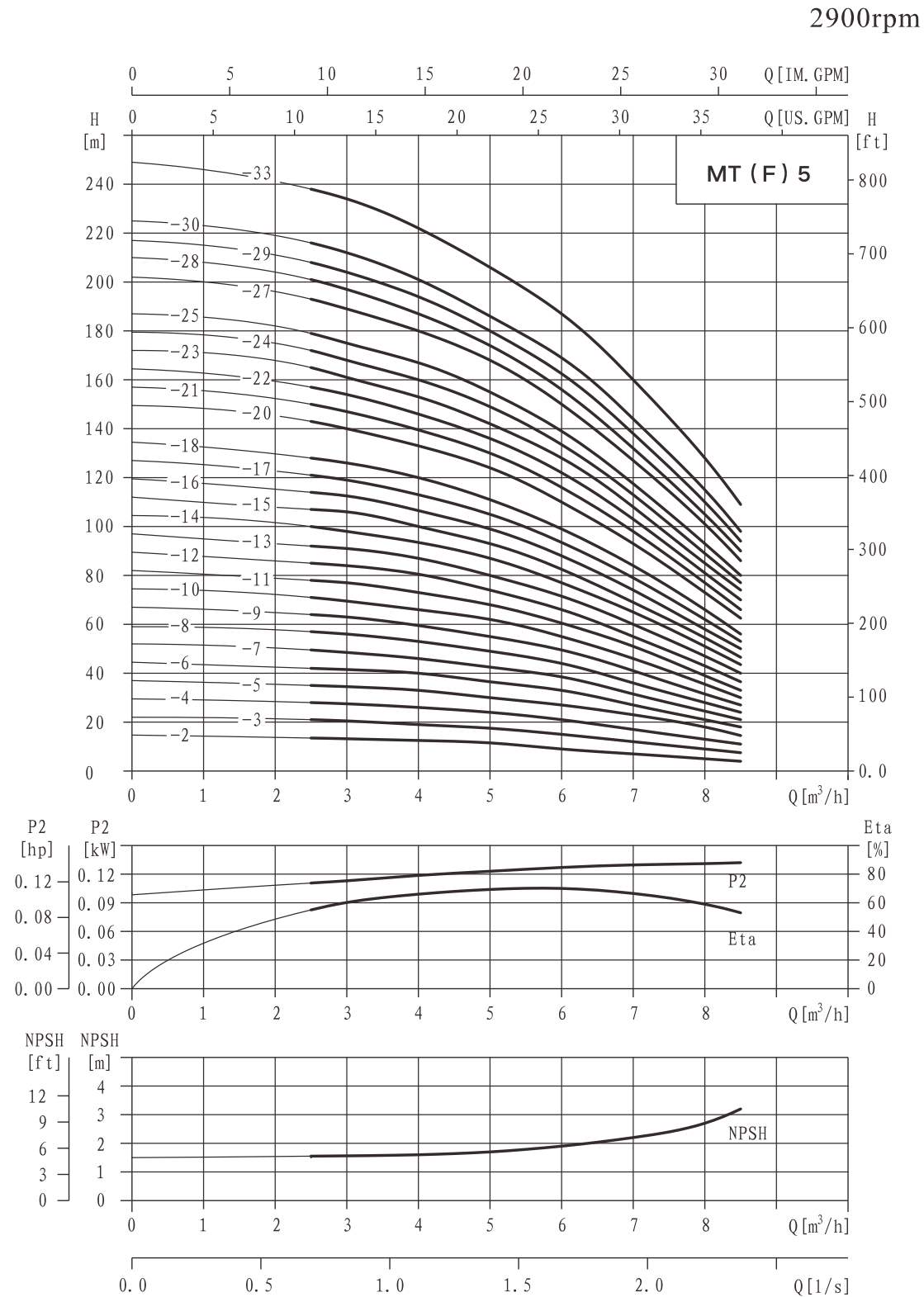
MT4-19-4-22 waist less flange type pipeline connection  
single-phase motor and explosion-proof motor have changed  
in overall dimensions. Please consult our company for details

## ● Size and Weight

| Model     | Installation Dimensions |     |       |     |     | Weight (kg) |
|-----------|-------------------------|-----|-------|-----|-----|-------------|
|           | B1                      | B2  | B1+B2 | D1  | D2  |             |
| MT(F)4-2  | 276                     | 225 | 501   | 148 | 117 | 22          |
| MT(F)4-3  | 303                     | 225 | 528   | 148 | 117 | 24          |
| MT(F)4-4  | 340                     | 245 | 585   | 170 | 142 | 30          |
| MT(F)4-5  | 367                     | 245 | 612   | 170 | 142 | 32          |
| MT(F)4-6  | 394                     | 245 | 639   | 170 | 142 | 33          |
| MT(F)4-7  | 431                     | 290 | 721   | 190 | 155 | 39          |
| MT(F)4-8  | 458                     | 290 | 748   | 190 | 155 | 40          |
| MT(F)4-10 | 512                     | 290 | 802   | 190 | 155 | 43          |
| MT(F)4-12 | 566                     | 290 | 856   | 190 | 155 | 44          |
| MT(F)4-14 | 630                     | 345 | 975   | 197 | 165 | 52          |
| MT(F)4-16 | 684                     | 345 | 1029  | 197 | 165 | 54          |
| MT(F)4-19 | 765                     | 355 | 1120  | 230 | 188 | 56          |
| MT(F)4-22 | 846                     | 355 | 1201  | 230 | 188 | 59          |



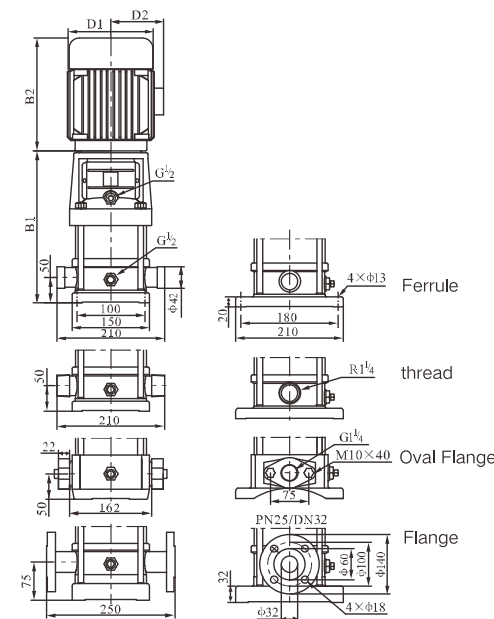
## ● Performance Curve



## ● Performance Table

| Model     | Power (kW) | Q (m³/h) | 0     | 2.5  | 3     | 4     | 5    | 6     | 7     | 8    | 8.5  |
|-----------|------------|----------|-------|------|-------|-------|------|-------|-------|------|------|
| MT(F)5-2  | 0.37       |          | 14.7  | 13.5 | 13.2  | 12.5  | 11.5 | 9     | 7     | 5    | 4    |
| MT(F)5-3  | 0.55       |          | 22    | 21   | 20.5  | 19    | 17.5 | 15    | 12    | 9    | 7.5  |
| MT(F)5-4  | 0.55       |          | 29.5  | 28   | 27.5  | 26    | 24   | 21    | 17    | 13   | 11   |
| MT(F)5-5  | 0.75       |          | 37    | 35   | 34.5  | 33    | 30   | 27    | 23    | 18   | 14.5 |
| MT(F)5-6  | 1.1        |          | 44.5  | 42   | 41.5  | 40    | 36.5 | 33    | 27    | 21   | 18   |
| MT(F)5-7  | 1.1        |          | 52    | 49.5 | 48.5  | 46    | 42.5 | 38.5  | 31.5  | 24.5 | 21   |
| MT(F)5-8  | 1.1        |          | 59    | 57   | 56    | 53    | 49   | 44    | 36    | 28   | 24   |
| MT(F)5-9  | 1.5        |          | 67    | 64   | 63    | 59.5  | 55   | 49.5  | 41    | 31.5 | 27   |
| MT(F)5-10 | 1.5        |          | 74.5  | 71   | 69.5  | 66    | 62   | 55    | 46    | 35.5 | 30   |
| MT(F)5-11 | 1.5        |          | 82    | 78   | 77    | 73    | 68   | 60.5  | 51    | 39   | 33   |
| MT(F)5-12 | 2.2        |          | 89.5  | 85   | 84    | 80.5  | 74   | 66    | 55    | 43   | 36.5 |
| MT(F)5-13 | 2.2        |          | 97    | 92   | 91    | 87    | 80   | 71.5  | 60    | 47   | 40   |
| MT(F)5-14 | 2.2        |          | 104.5 | 100  | 98    | 93.5  | 87   | 77    | 65    | 51   | 43.5 |
| MT(F)5-15 | 2.2        |          | 112   | 107  | 106   | 100   | 93   | 82.5  | 69    | 54.5 | 46.5 |
| MT(F)5-16 | 2.2        |          | 119.5 | 114  | 112.5 | 106.5 | 99   | 88    | 74    | 58   | 50   |
| MT(F)5-17 | 3          |          | 127   | 121  | 119   | 113   | 105  | 93.5  | 79    | 62   | 53   |
| MT(F)5-18 | 3          |          | 134.5 | 128  | 126   | 120   | 111  | 99    | 84    | 66   | 56   |
| MT(F)5-20 | 3          |          | 149.5 | 143  | 140   | 133   | 124  | 110   | 93    | 73   | 62.5 |
| MT(F)5-21 | 3          |          | 157   | 150  | 147   | 139.5 | 130  | 116   | 98    | 77   | 66   |
| MT(F)5-22 | 4          |          | 164.5 | 157  | 154   | 146   | 136  | 122   | 103   | 81   | 70   |
| MT(F)5-23 | 4          |          | 170   | 165  | 161   | 153   | 142  | 128   | 108   | 85   | 74   |
| MT(F)5-24 | 4          |          | 179.5 | 172  | 168   | 160   | 149  | 133.5 | 113   | 89   | 77   |
| MT(F)5-25 | 4          |          | 187   | 179  | 175   | 167   | 155  | 139   | 117.5 | 93   | 80   |
| MT(F)5-27 | 4          |          | 202   | 193  | 189   | 180   | 168  | 150   | 127   | 101  | 86   |
| MT(F)5-28 | 4          |          | 210   | 201  | 197   | 187   | 174  | 156   | 132   | 105  | 90   |
| MT(F)5-29 | 5.5        |          | 217   | 208  | 204   | 194   | 180  | 162.5 | 138   | 110  | 94   |
| MT(F)5-30 | 5.5        |          | 225   | 216  | 212   | 201   | 186  | 169   | 144   | 115  | 98   |
| MT(F)5-33 | 5.5        |          | 249   | 238  | 234   | 222   | 206  | 187   | 160   | 128  | 109  |

## ● Installations Sketch

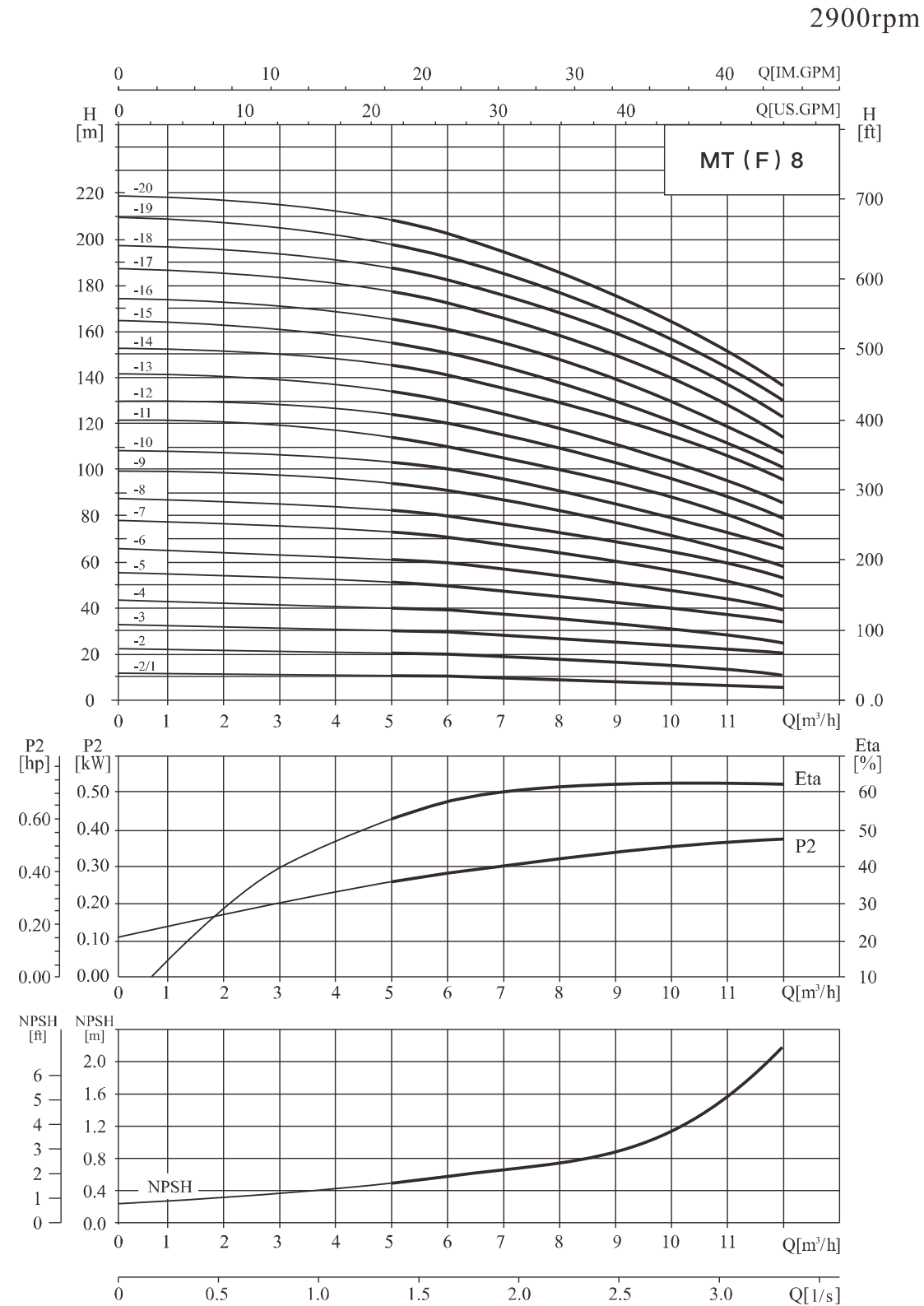


MT521~5-23 waist less flange type pipeline connection  
single-phase motor and explosion-proof motor have changed  
in overall dimensions. Please consult our company for details

## ● Size and Weight

| Model     | Installation Dimensions |     |       |     |     | Weight (kg) |
|-----------|-------------------------|-----|-------|-----|-----|-------------|
|           | B1                      | B2  | B1+B2 | D1  | D2  |             |
| MT(F)5-2  | 276                     | 225 | 501   | 148 | 117 | 22          |
| MT(F)5-3  | 303                     | 225 | 528   | 148 | 117 | 24          |
| MT(F)5-4  | 330                     | 225 | 555   | 148 | 117 | 25          |
| MT(F)5-5  | 367                     | 245 | 612   | 170 | 142 | 28          |
| MT(F)5-6  | 394                     | 245 | 639   | 170 | 142 | 30          |
| MT(F)5-7  | 421                     | 245 | 666   | 170 | 142 | 30          |
| MT(F)5-8  | 448                     | 245 | 693   | 170 | 142 | 31          |
| MT(F)5-9  | 485                     | 290 | 775   | 190 | 155 | 36          |
| MT(F)5-10 | 512                     | 290 | 802   | 190 | 155 | 36          |
| MT(F)5-11 | 539                     | 290 | 829   | 190 | 155 | 37          |
| MT(F)5-12 | 566                     | 290 | 856   | 190 | 155 | 41          |
| MT(F)5-13 | 593                     | 290 | 883   | 190 | 155 | 41          |
| MT(F)5-14 | 620                     | 290 | 910   | 190 | 155 | 42          |
| MT(F)5-15 | 647                     | 290 | 937   | 190 | 155 | 42          |
| MT(F)5-16 | 674                     | 290 | 964   | 190 | 155 | 43          |
| MT(F)5-17 | 711                     | 345 | 1056  | 197 | 165 | 51          |
| MT(F)5-18 | 738                     | 345 | 1083  | 197 | 165 | 51          |
| MT(F)5-20 | 765                     | 345 | 1110  | 197 | 165 | 52          |
| MT(F)5-21 | 792                     | 345 | 1137  | 197 | 165 | 52          |
| MT(F)5-22 | 819                     | 355 | 1174  | 230 | 188 | 59          |
| MT(F)5-23 | 873                     | 355 | 1228  | 230 | 188 | 59          |
| MT(F)5-24 | 900                     | 355 | 1255  | 230 | 188 | 60          |
| MT(F)5-25 | 927                     | 355 | 1282  | 230 | 188 | 60          |
| MT(F)5-27 | 954                     | 355 | 1309  | 230 | 188 | 61          |
| MT(F)5-28 | 981                     | 355 | 1336  | 230 | 188 | 61          |
| MT(F)5-29 | 1028                    | 390 | 1418  | 260 | 208 | 83          |
| MT(F)5-30 | 1055                    | 390 | 1445  | 260 | 208 | 83          |
| MT(F)5-33 | 1082                    | 390 | 1472  | 260 | 208 | 84          |

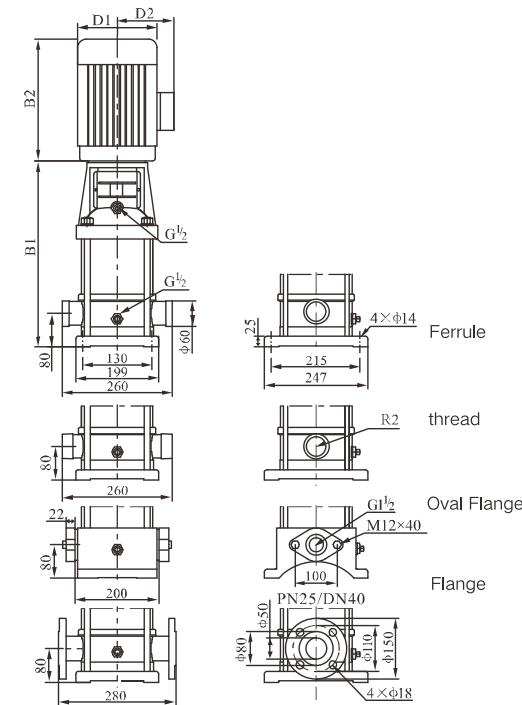
## ● Performance Curve



## ● Performance Table

| Model      | Power (kW) | Q (m³/h) | 5   | 6    | 7    | 8   | 9   | 10  | 11  | 12  |
|------------|------------|----------|-----|------|------|-----|-----|-----|-----|-----|
| MT(F)8-2/1 | 0.75       | H(m)     | 10  | 9.5  | 9.3  | 9   | 8.5 | 8   | 7   | 6   |
| MT(F)8-2   | 0.75       |          | 20  | 19.5 | 19   | 18  | 17  | 16  | 14  | 13  |
| MT(F)8-3   | 1.1        |          | 30  | 29.5 | 28.5 | 27  | 25  | 24  | 21  | 19  |
| MT(F)8-4   | 1.5        |          | 41  | 39.5 | 38   | 36  | 34  | 32  | 28  | 26  |
| MT(F)8-5   | 2.2        |          | 52  | 50   | 48   | 45  | 42  | 40  | 36  | 32  |
| MT(F)8-6   | 2.2        |          | 62  | 60   | 57   | 54  | 51  | 48  | 43  | 39  |
| MT(F)8-8   | 3          |          | 83  | 80   | 77   | 73  | 69  | 65  | 58  | 52  |
| MT(F)8-10  | 4          |          | 104 | 100  | 97   | 92  | 87  | 81  | 73  | 65  |
| MT(F)8-12  | 4          |          | 124 | 120  | 116  | 111 | 104 | 92  | 87  | 78  |
| MT(F)8-14  | 5.5        |          | 145 | 141  | 136  | 130 | 122 | 113 | 102 | 92  |
| MT(F)8-16  | 5.5        |          | 166 | 161  | 156  | 148 | 139 | 130 | 118 | 106 |
| MT(F)8-18  | 7.5        |          | 187 | 182  | 175  | 167 | 157 | 146 | 134 | 120 |
| MT(F)8-20  | 7.5        | 208      | 202 | 195  | 186  | 175 | 163 | 150 | 135 |     |

## ● Installations Sketch



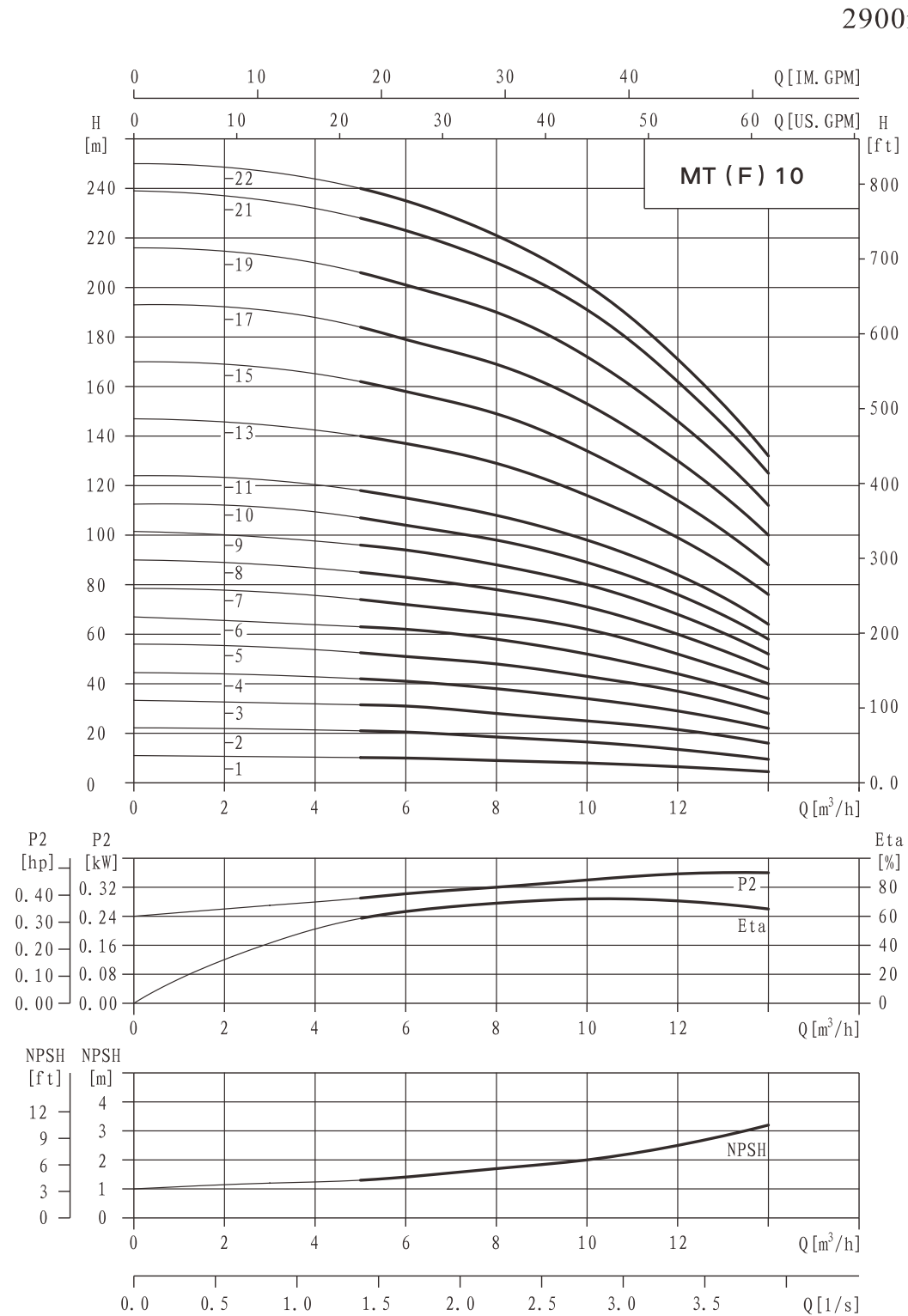
MT8-14-8-20 waist less flange type pipeline connection  
single-phase motor and explosion-proof motor have changed  
in overall dimensions. Please consult our company for details

## ● Size and Weight

| Model      | Installation Dimensions |     |       |     |     | Weight (kg) |
|------------|-------------------------|-----|-------|-----|-----|-------------|
|            | B1                      | B2  | B1+B2 | D1  | D2  |             |
| MT(F)8-2/1 | 347                     | 245 | 592   | 170 | 142 | 33          |
| MT(F)8-2   | 347                     | 245 | 292   | 170 | 142 | 33          |
| MT(F)8-3   | 377                     | 245 | 622   | 170 | 142 | 35          |
| MT(F)8-4   | 417                     | 290 | 707   | 190 | 155 | 42          |
| MT(F)8-5   | 447                     | 290 | 737   | 190 | 155 | 46          |
| MT(F)8-6   | 477                     | 290 | 767   | 190 | 155 | 47          |
| MT(F)8-8   | 547                     | 345 | 892   | 197 | 165 | 55          |
| MT(F)8-10  | 607                     | 355 | 962   | 230 | 188 | 67          |
| MT(F)8-12  | 667                     | 355 | 1022  | 230 | 188 | 70          |
| MT(F)8-14  | 747                     | 390 | 1137  | 260 | 208 | 85          |
| MT(F)8-16  | 807                     | 390 | 1197  | 260 | 208 | 88          |
| MT(F)8-18  | 867                     | 390 | 1257  | 260 | 208 | 98          |
| MT(F)8-20  | 927                     | 390 | 1317  | 260 | 208 | 99          |



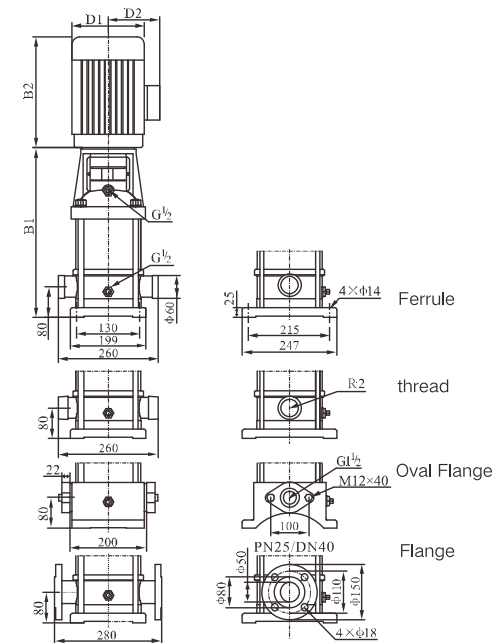
## ● Performance Curve



## ● Performance Table

| Model      | Power (kW) | Q (m³/h) | 0     | 5    | 6    | 8    | 10   | 12   | 14  |
|------------|------------|----------|-------|------|------|------|------|------|-----|
| MT(F)10-1  | 0.75       | H(m)     | 11    | 10.2 | 10   | 9    | 8    | 6.5  | 4.5 |
| MT(F)10-2  | 0.75       |          | 22.2  | 21   | 20.5 | 18.5 | 16.5 | 13.5 | 9.5 |
| MT(F)10-3  | 1.1        |          | 33.3  | 31.5 | 31   | 28   | 25   | 21.5 | 16  |
| MT(F)10-4  | 1.5        |          | 44.5  | 42   | 41   | 38   | 34   | 29   | 22  |
| MT(F)10-5  | 2.2        |          | 56    | 52.5 | 51   | 48   | 43   | 37   | 28  |
| MT(F)10-6  | 2.2        |          | 67    | 63   | 62   | 58   | 52   | 44   | 34  |
| MT(F)10-7  | 3          |          | 78.5  | 74   | 72   | 68   | 62   | 52   | 40  |
| MT(F)10-8  | 3          |          | 90    | 85   | 83   | 78   | 71   | 60   | 46  |
| MT(F)10-9  | 4          |          | 101.5 | 96   | 94   | 88   | 80   | 68   | 52  |
| MT(F)10-10 | 4          |          | 112.5 | 107  | 104  | 98   | 89   | 76   | 58  |
| MT(F)10-11 | 4          |          | 124   | 118  | 115  | 108  | 98   | 84   | 64  |
| MT(F)10-13 | 5.5        |          | 147   | 140  | 137  | 129  | 116  | 99   | 76  |
| MT(F)10-15 | 5.5        |          | 170   | 162  | 158  | 149  | 134  | 114  | 88  |
| MT(F)10-17 | 7.5        |          | 193   | 184  | 179  | 169  | 153  | 130  | 100 |
| MT(F)10-19 | 7.5        |          | 216   | 206  | 201  | 190  | 172  | 146  | 112 |
| MT(F)10-21 | 7.5        |          | 239   | 228  | 223  | 210  | 191  | 162  | 125 |
| MT(F)10-22 | 11         |          | 250   | 240  | 235  | 221  | 201  | 171  | 132 |

## ● Installations Sketch

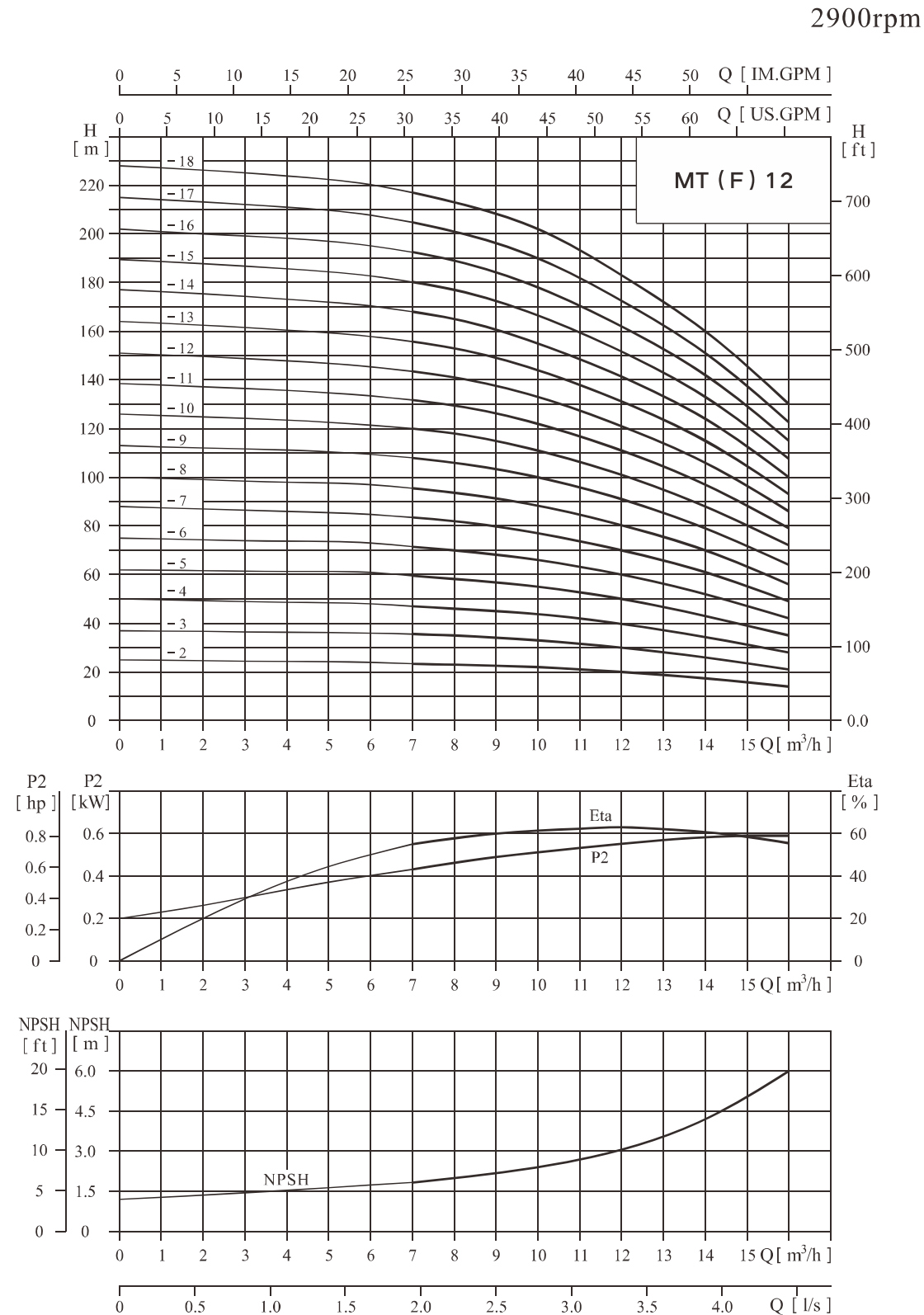


MT10-15~10-22 waist less flange type pipeline connection  
single-phase motor and explosion-proof motor have changed  
in overall dimensions. Please consult our company for details

## ● Size and Weight

| Model      | Installation Dimensions |     |       |     |     | Weight (kg) |
|------------|-------------------------|-----|-------|-----|-----|-------------|
|            | B1                      | B2  | B1+B2 | D1  | D2  |             |
| MT(F)10-1  | 347                     | 245 | 592   | 170 | 142 | 40          |
| MT(F)10-2  | 347                     | 245 | 292   | 170 | 142 | 41          |
| MT(F)10-3  | 377                     | 245 | 622   | 170 | 142 | 43          |
| MT(F)10-4  | 417                     | 290 | 707   | 190 | 155 | 49          |
| MT(F)10-5  | 447                     | 290 | 737   | 190 | 155 | 53          |
| MT(F)10-6  | 477                     | 290 | 767   | 190 | 155 | 54          |
| MT(F)10-7  | 517                     | 345 | 862   | 197 | 165 | 64          |
| MT(F)10-8  | 547                     | 345 | 892   | 197 | 165 | 65          |
| MT(F)10-9  | 577                     | 355 | 932   | 230 | 188 | 73          |
| MT(F)10-10 | 607                     | 355 | 962   | 230 | 188 | 74          |
| MT(F)10-11 | 637                     | 355 | 992   | 230 | 188 | 75          |
| MT(F)10-13 | 717                     | 390 | 1107  | 260 | 208 | 99          |
| MT(F)10-15 | 777                     | 390 | 1167  | 260 | 208 | 101         |
| MT(F)10-17 | 837                     | 390 | 1227  | 260 | 208 | 106         |
| MT(F)10-19 | 897                     | 390 | 1287  | 260 | 208 | 107         |
| MT(F)10-21 | 957                     | 390 | 1347  | 260 | 208 | 108         |
| MT(F)10-22 | 1075                    | 500 | 1575  | 330 | 255 | 173         |

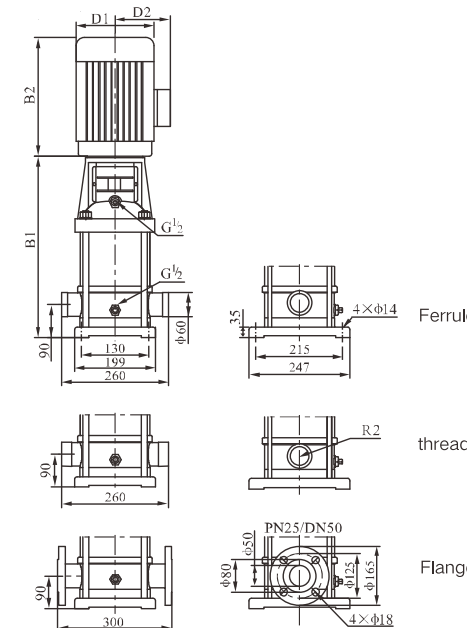
## ● Performance Curve



## ● Performance Table

| Model      | Power (kW) | Q (m <sup>3</sup> /h) | 7     | 8   | 9     | 10  | 11    | 12  | 13    | 14  | 15    | 16  |
|------------|------------|-----------------------|-------|-----|-------|-----|-------|-----|-------|-----|-------|-----|
| MT(F)12-2  | 1.5        | H(m)                  | 23.5  | 23  | 22.5  | 22  | 21    | 20  | 18.5  | 17  | 15.5  | 14  |
| MT(F)12-3  | 2.2        |                       | 33.5  | 35  | 34    | 33  | 31.5  | 30  | 28    | 26  | 23.5  | 21  |
| MT(F)12-4  | 3          |                       | 47    | 46  | 45    | 44  | 42    | 40  | 37    | 34  | 31    | 28  |
| MT(F)12-5  | 3          |                       | 59.5  | 58  | 56.5  | 55  | 52.5  | 50  | 46.5  | 43  | 39    | 35  |
| MT(F)12-6  | 4          |                       | 71.5  | 70  | 68    | 66  | 63    | 60  | 56    | 52  | 47    | 42  |
| MT(F)12-7  | 5.5        |                       | 83.5  | 82  | 79.5  | 77  | 73.5  | 70  | 65.5  | 61  | 55    | 49  |
| MT(F)12-8  | 5.5        |                       | 95.5  | 94  | 91    | 88  | 84    | 80  | 75    | 70  | 63    | 56  |
| MT(F)12-9  | 5.5        |                       | 108   | 106 | 103   | 100 | 95.5  | 91  | 85    | 79  | 71.5  | 64  |
| MT(F)12-10 | 7.5        |                       | 120   | 118 | 114.5 | 111 | 106   | 101 | 94.5  | 88  | 80    | 72  |
| MT(F)12-12 | 7.5        |                       | 143.5 | 141 | 137   | 133 | 127   | 121 | 113.5 | 106 | 96    | 84  |
| MT(F)12-14 | 11         |                       | 168   | 165 | 160   | 155 | 148   | 141 | 132.5 | 124 | 112   | 100 |
| MT(F)12-16 | 11         |                       | 192.5 | 189 | 183.5 | 178 | 170   | 162 | 152   | 142 | 128.5 | 115 |
| MT(F)12-18 | 11         |                       | 217   | 213 | 207.5 | 202 | 192.5 | 183 | 171.5 | 160 | 145   | 130 |

## ● Installations Sketch



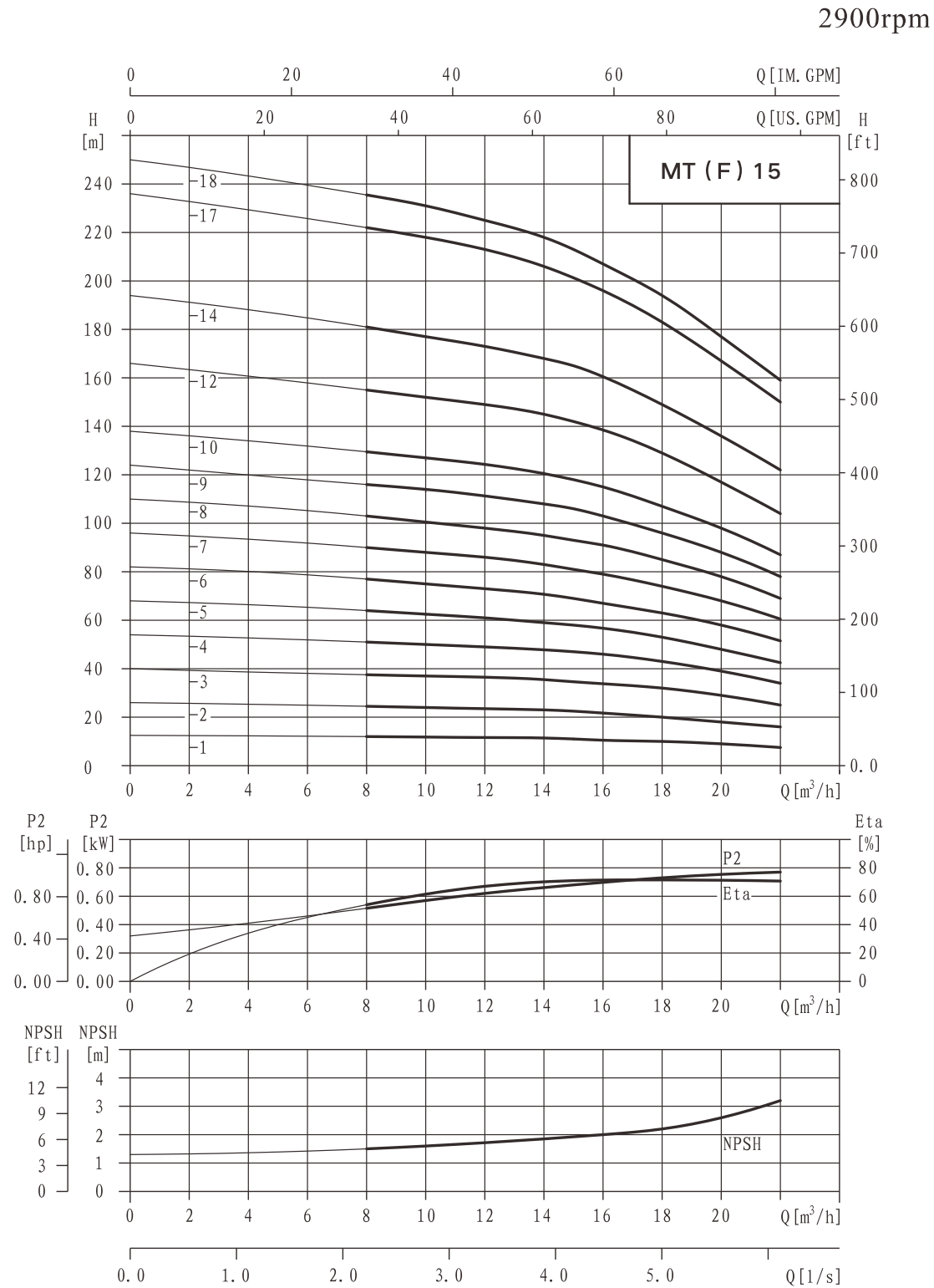
Single-phase motor and explosion-proof motor have changed in overall dimensions. Please consult our company for details

## ● Size and Weight

| Model      | Installation Dimensions |     |       |     |     | Weight (kg) |
|------------|-------------------------|-----|-------|-----|-----|-------------|
|            | B1                      | B2  | B1+B2 | D1  | D2  |             |
| MT(F)12-2  | 367                     | 290 | 657   | 190 | 155 | 40          |
| MT(F)12-3  | 397                     | 290 | 687   | 190 | 155 | 45          |
| MT(F)12-4  | 437                     | 345 | 782   | 197 | 165 | 55          |
| MT(F)12-5  | 467                     | 345 | 812   | 197 | 165 | 57          |
| MT(F)12-6  | 497                     | 355 | 852   | 230 | 188 | 66          |
| MT(F)12-7  | 547                     | 390 | 937   | 260 | 208 | 77          |
| MT(F)12-8  | 577                     | 390 | 967   | 260 | 208 | 78          |
| MT(F)12-9  | 607                     | 390 | 997   | 260 | 208 | 80          |
| MT(F)12-10 | 637                     | 390 | 1027  | 260 | 208 | 88          |
| MT(F)12-12 | 697                     | 390 | 1087  | 260 | 208 | 92          |
| MT(F)12-14 | 845                     | 500 | 1345  | 330 | 255 | 162         |
| MT(F)12-16 | 905                     | 500 | 1405  | 330 | 255 | 167         |
| MT(F)12-18 | 965                     | 500 | 1465  | 330 | 255 | 168         |



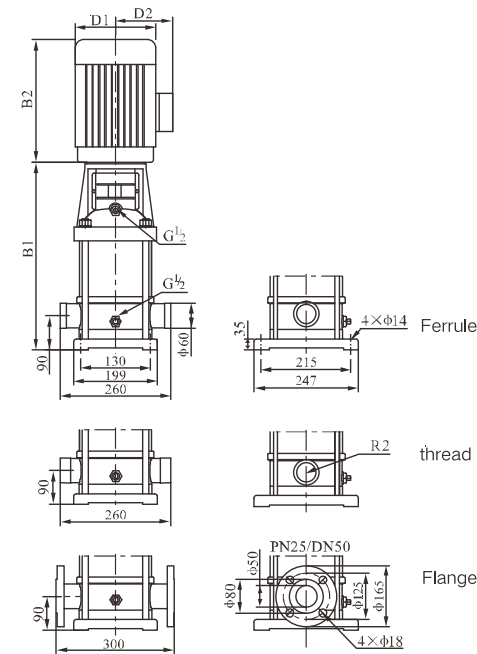
## ● Performance Curve



## ● Performance Table

| Model      | Power (kW) | Q (m³/h) | 0    | 8    | 10   | 12   | 14   | 15   | 16   | 18  | 20  | 22   |
|------------|------------|----------|------|------|------|------|------|------|------|-----|-----|------|
| MT(F)15-1  | 1.1        | H(m)     | 12.5 | 12   | 11.8 | 11.6 | 11.4 | 11   | 10.5 | 10  | 9   | 7.5  |
| MT(F)15-2  | 2.2        |          | 26   | 24.5 | 24   | 23.5 | 23   | 22.5 | 21.5 | 20  | 18  | 16   |
| MT(F)15-3  | 3          |          | 40   | 37.5 | 37   | 36.5 | 35.5 | 34.5 | 34   | 32  | 29  | 25   |
| MT(F)15-4  | 4          |          | 51   | 51   | 50   | 49   | 47.5 | 47   | 46   | 43  | 39  | 34   |
| MT(F)15-5  | 4          |          | 68   | 64   | 62   | 61   | 59   | 58   | 57   | 53  | 48  | 42.5 |
| MT(F)15-6  | 5.5        |          | 82   | 77   | 75   | 73   | 71   | 69   | 67   | 63  | 58  | 51.5 |
| MT(F)15-7  | 5.5        |          | 96   | 90   | 88   | 86   | 83   | 81   | 79   | 74  | 68  | 60.5 |
| MT(F)15-8  | 7.5        |          | 110  | 103  | 100  | 98   | 95   | 93   | 91   | 85  | 78  | 69   |
| MT(F)15-9  | 7.5        |          | 124  | 116  | 113  | 111  | 108  | 106  | 103  | 96  | 88  | 78   |
| MT(F)15-10 | 11         |          | 138  | 129  | 126  | 124  | 121  | 118  | 115  | 107 | 98  | 87   |
| MT(F)15-12 | 11         |          | 166  | 155  | 152  | 149  | 145  | 142  | 138  | 129 | 117 | 104  |
| MT(F)15-14 | 11         |          | 194  | 181  | 177  | 173  | 168  | 165  | 160  | 149 | 136 | 122  |
| MT(F)15-17 | 15         |          | 236  | 222  | 218  | 213  | 206  | 201  | 196  | 183 | 167 | 150  |
| MT(F)15-18 | 150        |          | 250  | 235  | 231  | 225  | 218  | 213  | 207  | 194 | 177 | 159  |

## ● Installations Sketch

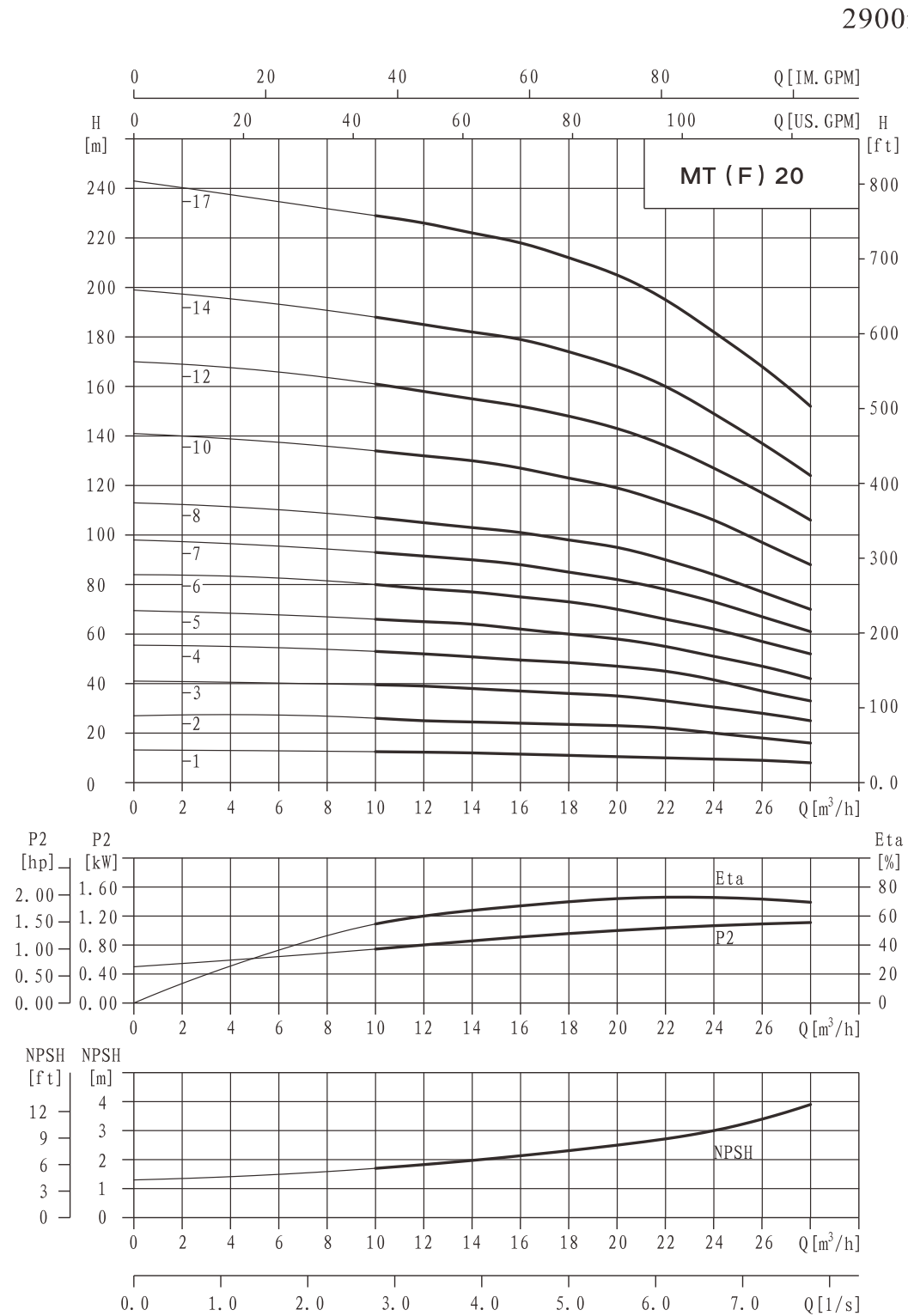


Single-phase motor and explosion-proof motor have changed in overall dimensions. Please consult our company for details

## ● Size and Weight

| Model      | Installation Dimensions |     |       |     |     | Weight (kg) |
|------------|-------------------------|-----|-------|-----|-----|-------------|
|            | B1                      | B2  | B1+B2 | D1  | D2  |             |
| MT(F)15-1  | 387                     | 245 | 630   | 170 | 142 | 33          |
| MT(F)15-2  | 397                     | 290 | 687   | 190 | 155 | 42          |
| MT(F)15-3  | 452                     | 345 | 797   | 197 | 165 | 51          |
| MT(F)15-4  | 497                     | 355 | 852   | 230 | 188 | 60          |
| MT(F)15-5  | 542                     | 355 | 897   | 230 | 188 | 62          |
| MT(F)15-6  | 607                     | 390 | 997   | 260 | 208 | 78          |
| MT(F)15-7  | 652                     | 390 | 1042  | 260 | 208 | 80          |
| MT(F)15-8  | 697                     | 390 | 1087  | 260 | 208 | 86          |
| MT(F)15-9  | 742                     | 390 | 1132  | 260 | 208 | 88          |
| MT(F)15-10 | 875                     | 500 | 1375  | 330 | 255 | 166         |
| MT(F)15-12 | 965                     | 500 | 1465  | 330 | 255 | 170         |
| MT(F)15-14 | 1055                    | 500 | 1555  | 330 | 255 | 173         |
| MT(F)15-17 | 1190                    | 500 | 1690  | 330 | 255 | 186         |
| MT(F)15-18 | 1235                    | 500 | 1735  | 330 | 255 | 188         |

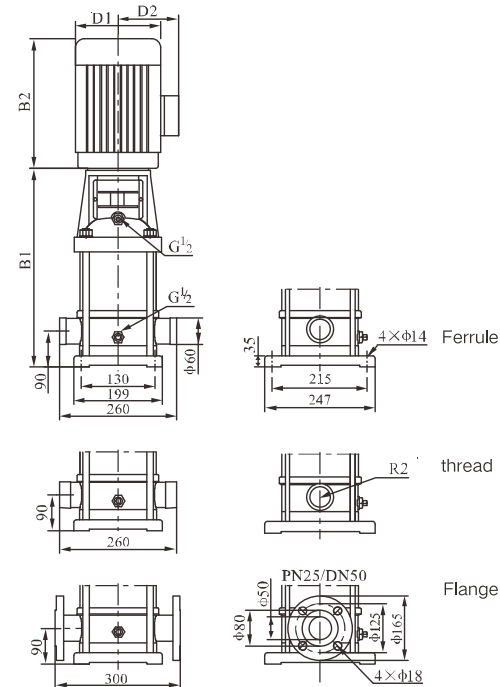
## ● Performance Curve



## ● Performance Table

| Model      | Power (kW) | Q (m³/h) | 0    | 10   | 12   | 14   | 16   | 18   | 20   | 22  | 24   | 26  | 28  |
|------------|------------|----------|------|------|------|------|------|------|------|-----|------|-----|-----|
| MT(F)20-1  | 1.1        | H(m)     | 13.2 | 12.5 | 12.3 | 12   | 11.5 | 11   | 10.5 | 10  | 9.5  | 9   | 8   |
| MT(F)20-2  | 2.2        |          | 27   | 26   | 25   | 24.5 | 24   | 23.5 | 23   | 22  | 20   | 18  | 16  |
| MT(F)20-3  | 4          |          | 41   | 39.5 | 39   | 38   | 37   | 36   | 35   | 33  | 30.5 | 28  | 25  |
| MT(F)20-4  | 5.5        |          | 55.5 | 53   | 51   | 50   | 49   | 48   | 47   | 45  | 41.5 | 37  | 33  |
| MT(F)20-5  | 5.5        |          | 69.5 | 66   | 65   | 64   | 62   | 60   | 58   | 55  | 51   | 47  | 42  |
| MT(F)20-6  | 7.5        |          | 84   | 80   | 78   | 77   | 75   | 73   | 70   | 66  | 62   | 57  | 52  |
| MT(F)20-7  | 7.5        |          | 98   | 93   | 91   | 90   | 88   | 85   | 82   | 78  | 73   | 67  | 61  |
| MT(F)20-8  | 11         |          | 113  | 107  | 105  | 103  | 101  | 98   | 95   | 90  | 84   | 77  | 70  |
| MT(F)20-10 | 11         |          | 141  | 134  | 132  | 130  | 127  | 123  | 119  | 113 | 106  | 97  | 88  |
| MT(F)20-12 | 15         |          | 170  | 161  | 158  | 155  | 152  | 148  | 143  | 136 | 127  | 117 | 106 |
| MT(F)20-14 | 15         |          | 199  | 188  | 185  | 182  | 179  | 174  | 168  | 160 | 149  | 137 | 124 |
| MT(F)20-17 | 18.5       |          | 243  | 229  | 225  | 222  | 218  | 212  | 205  | 195 | 182  | 168 | 152 |

## ● Installations Sketch



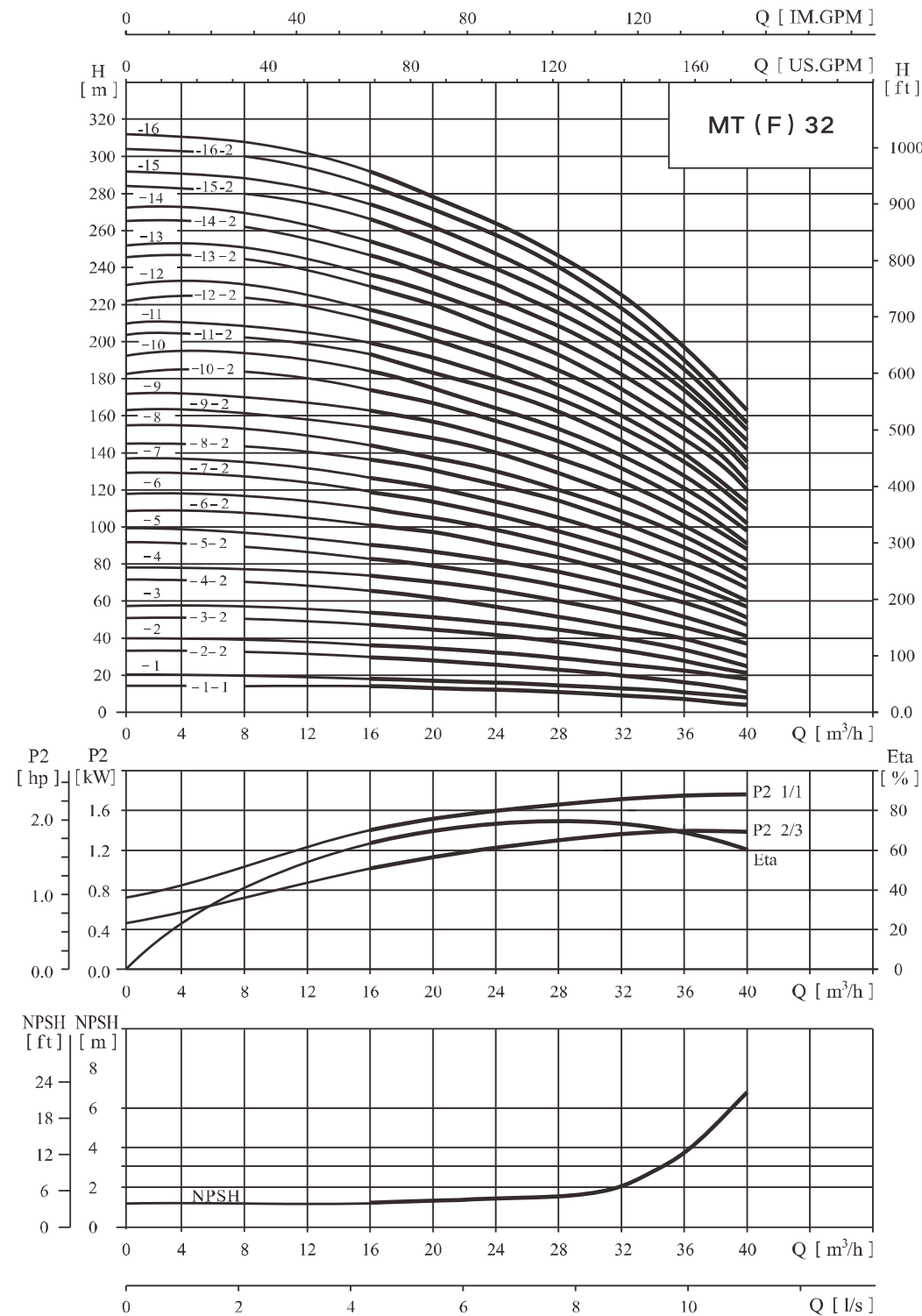
Single-phase motor and explosion-proof motor have changed in overall dimensions. Please consult our company for details

## ● Size and Weight

| Model      | Installation Dimensions |     |       |     |     | Weight (kg) |
|------------|-------------------------|-----|-------|-----|-----|-------------|
|            | B1                      | B2  | B1+B2 | D1  | D2  |             |
| MT(F)20-1  | 387                     | 245 | 632   | 170 | 142 | 33          |
| MT(F)20-2  | 397                     | 290 | 687   | 190 | 155 | 42          |
| MT(F)20-3  | 452                     | 355 | 807   | 230 | 188 | 58          |
| MT(F)20-4  | 517                     | 390 | 907   | 260 | 208 | 74          |
| MT(F)20-5  | 562                     | 390 | 952   | 260 | 208 | 75          |
| MT(F)20-6  | 607                     | 390 | 997   | 260 | 208 | 84          |
| MT(F)20-7  | 652                     | 390 | 1042  | 260 | 208 | 86          |
| MT(F)20-8  | 785                     | 500 | 1285  | 330 | 255 | 157         |
| MT(F)20-10 | 875                     | 500 | 1375  | 330 | 255 | 162         |
| MT(F)20-12 | 965                     | 500 | 1465  | 330 | 255 | 176         |
| MT(F)20-14 | 1055                    | 500 | 1555  | 330 | 255 | 178         |
| MT(F)20-17 | 1190                    | 550 | 1740  | 330 | 255 | 201         |

## ● Performance Curve

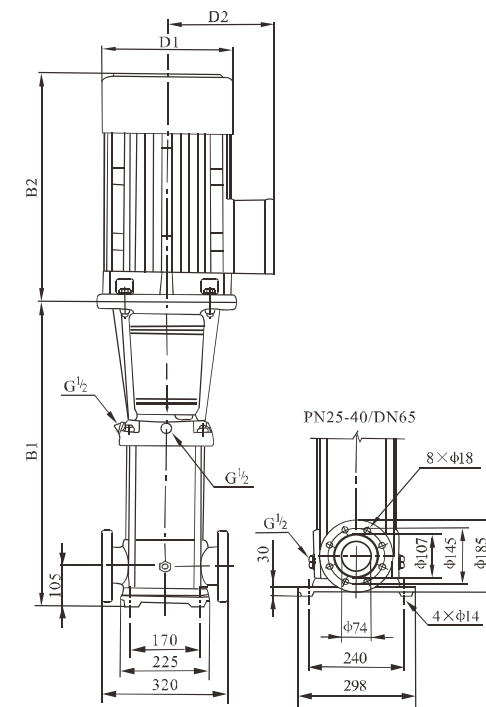
2900rpm



## ● Performance Table

| Model       | Power (kW) | Q (m³/h) | 16  | 20  | 24  | 28  | 32  | 36 | 40 | Model        | Power (kW) | Q (m³/h) | 16  | 20  | 24  | 28  | 32  | 36  | 40  |
|-------------|------------|----------|-----|-----|-----|-----|-----|----|----|--------------|------------|----------|-----|-----|-----|-----|-----|-----|-----|
| MT(F)32-1-1 | 1.5        |          | 14  | 13  | 12  | 11  | 9   | 7  | 4  | MT(F)32-9-2  | 18.5       |          | 154 | 148 | 140 | 129 | 117 | 102 | 82  |
| MT(F)32-1   | 2.2        |          | 18  | 17  | 15  | 14  | 13  | 11 | 8  | MT(F)32-9    | 18.5       |          | 162 | 156 | 147 | 136 | 124 | 109 | 88  |
| MT(F)32-2-2 | 3          |          | 29  | 28  | 26  | 23  | 20  | 16 | 11 | MT(F)32-10-2 | 18.5       |          | 175 | 166 | 157 | 146 | 131 | 115 | 91  |
| MT(F)32-2   | 4          |          | 36  | 34  | 32  | 29  | 27  | 23 | 18 | MT(F)32-10   | 18.5       |          | 182 | 173 | 164 | 152 | 138 | 122 | 98  |
| MT(F)32-3-2 | 5.5        |          | 47  | 44  | 41  | 38  | 33  | 28 | 21 | MT(F)32-11-2 | 22         |          | 193 | 184 | 173 | 164 | 146 | 128 | 102 |
| MT(F)32-3   | 5.5        |          | 54  | 51  | 48  | 44  | 40  | 35 | 27 | MT(F)32-11   | 22         |          | 200 | 191 | 180 | 168 | 153 | 135 | 109 |
| MT(F)32-4-2 | 7.5        |          | 65  | 62  | 58  | 53  | 46  | 40 | 30 | MT(F)32-12-2 | 22         |          | 211 | 201 | 189 | 178 | 160 | 140 | 113 |
| MT(F)32-4   | 7.5        |          | 72  | 69  | 65  | 59  | 53  | 47 | 37 | MT(F)32-12   | 22         |          | 218 | 208 | 196 | 184 | 167 | 147 | 120 |
| MT(F)32-5-2 | 11         |          | 83  | 79  | 74  | 68  | 60  | 52 | 41 | MT(F)32-13-2 | 30         |          | 230 | 218 | 206 | 193 | 174 | 153 | 124 |
| MT(F)32-5   | 11         |          | 90  | 86  | 81  | 74  | 67  | 59 | 47 | MT(F)32-13   | 30         |          | 237 | 225 | 213 | 200 | 181 | 160 | 131 |
| MT(F)32-6-2 | 11         |          | 101 | 97  | 90  | 83  | 74  | 65 | 51 | MT(F)32-14-2 | 30         |          | 247 | 235 | 222 | 210 | 189 | 165 | 135 |
| MT(F)32-6   | 11         |          | 108 | 104 | 97  | 90  | 81  | 72 | 57 | MT(F)32-14   | 30         |          | 255 | 242 | 229 | 216 | 196 | 172 | 142 |
| MT(F)32-7-2 | 15         |          | 119 | 114 | 107 | 98  | 88  | 78 | 60 | MT(F)32-15-2 | 30         |          | 266 | 253 | 239 | 224 | 203 | 178 | 145 |
| MT(F)32-7   | 15         |          | 126 | 121 | 113 | 105 | 95  | 85 | 67 | MT(F)32-15   | 30         |          | 274 | 260 | 246 | 231 | 210 | 185 | 152 |
| MT(F)32-8-2 | 15         |          | 136 | 131 | 123 | 114 | 102 | 90 | 71 | MT(F)32-16-2 | 30         |          | 284 | 270 | 255 | 240 | 218 | 190 | 156 |
| MT(F)32-8   | 15         |          | 144 | 138 | 130 | 120 | 109 | 97 | 77 | MT(F)32-16   | 30         |          | 292 | 277 | 262 | 246 | 225 | 197 | 163 |

## ● Installations Sketch



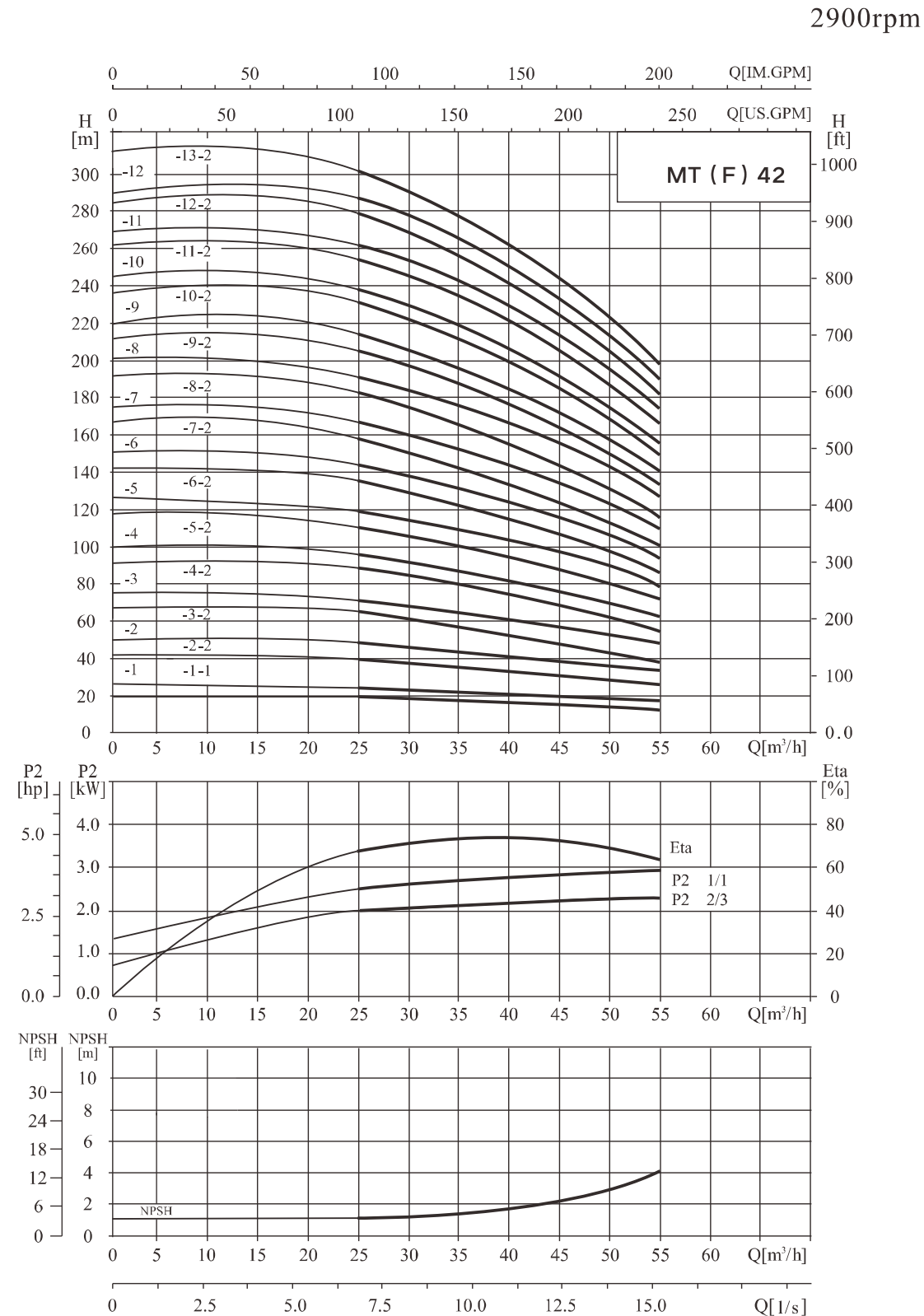
Single-phase motor and explosion-proof motor have changed in overall dimensions. Please consult our company for details

## ● Size and Weight

| Model                   | Installation Dimensions |         |         |         |         | Weight (kg) |
|-------------------------|-------------------------|---------|---------|---------|---------|-------------|
|                         | B1                      | B2      | B1+B2   | D1      | D2      |             |
| MT(F)32-1-1/MT(F)32-1   | 505                     | 290     | 795     | 190     | 155     | 63/67       |
| MT(F)32-2-2/MT(F)32-2   | 575                     | 345/355 | 920/930 | 197/230 | 165/180 | 76/84       |
| MT(F)32-3-2/MT(F)32-3   | 645                     | 390     | 1035    | 260     | 208     | 99          |
| MT(F)32-4-2/MT(F)32-4   | 715                     | 390     | 1105    | 260     | 208     | 108         |
| MT(F)32-5-2/MT(F)32-5   | 890                     | 500     | 1390    | 330     | 255     | 187         |
| MT(F)32-6-2/MT(F)32-6   | 960                     | 500     | 1460    | 330     | 255     | 193         |
| MT(F)32-7-2/MT(F)32-7   | 1030                    | 500     | 1530    | 330     | 255     | 205         |
| MT(F)32-8-2/MT(F)32-8   | 1100                    | 500     | 1600    | 330     | 255     | 207         |
| MT(F)32-9-2/MT(F)32-9   | 1170                    | 550     | 1720    | 330     | 255     | 226         |
| MT(F)32-10-2/MT(F)32-10 | 1240                    | 550     | 1790    | 330     | 255     | 232         |
| MT(F)32-11-2/MT(F)32-11 | 1310                    | 575     | 1885    | 360     | 285     | 278         |
| MT(F)32-12-2/MT(F)32-12 | 1380                    | 575     | 1955    | 360     | 285     | 282         |
| MT(F)32-13-2/MT(F)32-13 | 1450                    | 650     | 2100    | 400     | 310     | 343         |
| MT(F)32-14-2/MT(F)32-14 | 1520                    | 650     | 2170    | 400     | 310     | 347         |
| MT(F)32-15-2/MT(F)32-15 | 1590                    | 650     | 2240    | 400     | 310     | 350         |
| MT(F)32-16-2/MT(F)32-16 | 1660                    | 650     | 2310    | 400     | 310     | 356         |



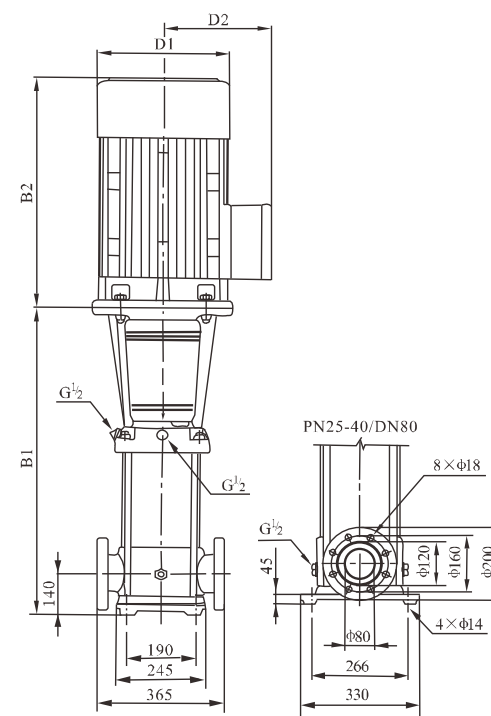
## ● Performance Curve



## ● Performance Table

| Model        | Power (kW) | Q (m³/h) | 25  | 30  | 35  | 40  | 42  | 45  | 50  | 55  |
|--------------|------------|----------|-----|-----|-----|-----|-----|-----|-----|-----|
| MT(F)42-1-1  | 3          |          | 20  | 19  | 18  | 17  | 16  | 15  | 13  | 11  |
| MT(F)42-1    | 4          |          | 24  | 23  | 22  | 21  | 20  | 19  | 18  | 16  |
| MT(F)42-2-2  | 5.5        |          | 40  | 38  | 36  | 33  | 32  | 30  | 27  | 23  |
| MT(F)42-2    | 7.5        |          | 48  | 46  | 44  | 42  | 41  | 39  | 35  | 31  |
| MT(F)42-3-2  | 11         |          | 63  | 61  | 58  | 54  | 52  | 50  | 44  | 38  |
| MT(F)42-3    | 11         |          | 71  | 69  | 66  | 63  | 61  | 58  | 53  | 47  |
| MT(F)42-4-2  | 15         |          | 87  | 84  | 80  | 75  | 73  | 69  | 62  | 54  |
| MT(F)42-4    | 15         |          | 95  | 92  | 88  | 84  | 81  | 78  | 71  | 62  |
| MT(F)42-5-2  | 18.5       |          | 111 | 107 | 102 | 96  | 93  | 88  | 80  | 69  |
| MT(F)42-5    | 18.5       |          | 119 | 115 | 110 | 105 | 10  | 97  | 88  | 78  |
| MT(F)42-6-2  | 22         |          | 135 | 130 | 124 | 117 | 113 | 108 | 97  | 85  |
| MT(F)42-6    | 22         |          | 143 | 138 | 132 | 125 | 122 | 116 | 106 | 93  |
| MT(F)42-7-2  | 30         |          | 158 | 152 | 146 | 138 | 134 | 127 | 115 | 100 |
| MT(F)42-7    | 30         |          | 166 | 161 | 154 | 146 | 142 | 135 | 124 | 109 |
| MT(F)42-8-2  | 30         |          | 182 | 175 | 168 | 159 | 154 | 146 | 133 | 116 |
| MT(F)42-8    | 30         |          | 190 | 184 | 176 | 167 | 162 | 154 | 141 | 124 |
| MT(F)42-9-2  | 30         |          | 205 | 198 | 190 | 180 | 174 | 166 | 150 | 132 |
| MT(F)42-9    | 37         |          | 214 | 207 | 198 | 188 | 183 | 174 | 159 | 140 |
| MT(F)42-10-2 | 37         |          | 230 | 221 | 212 | 200 | 194 | 185 | 168 | 147 |
| MT(F)42-10   | 37         |          | 238 | 230 | 220 | 209 | 203 | 193 | 177 | 155 |
| MT(F)42-11-2 | 45         |          | 255 | 246 | 236 | 223 | 217 | 206 | 188 | 165 |
| MT(F)42-11   | 45         |          | 263 | 255 | 244 | 232 | 225 | 214 | 196 | 173 |
| MT(F)42-12-2 | 45         |          | 280 | 270 | 259 | 245 | 238 | 226 | 206 | 181 |
| MT(F)42-12   | 45         |          | 289 | 280 | 268 | 255 | 247 | 236 | 216 | 190 |
| MT(F)42-13-2 | 45         |          | 305 | 294 | 282 | 267 | 259 | 247 | 225 | 198 |

## ● Installations Sketch

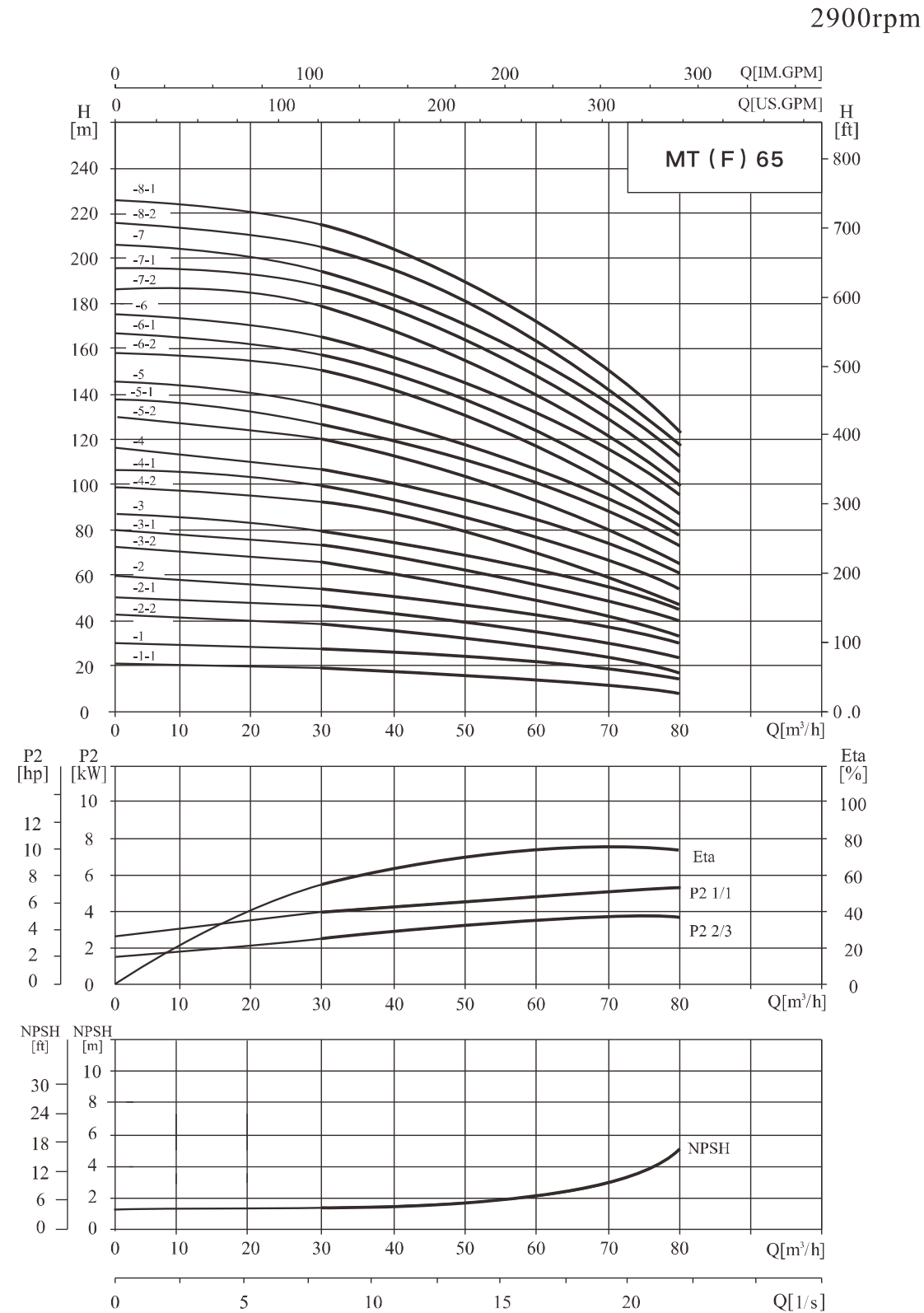


Single-phase motor and explosion-proof motor have changed in overall dimensions. Please consult our company for details

## ● Size and Weight

| Model        | Installation Dimensions |         |         |         |         | Weight (kg) |
|--------------|-------------------------|---------|---------|---------|---------|-------------|
|              | B1                      | B2      | B1+B2   | D1      | D2      |             |
| MT(F)42-1-1  | 561                     | 345/355 | 906/916 | 197/230 | 165/188 | 84/91       |
| MT(F)42-1    | 561                     | 345/355 | 906/916 | 197/230 | 165/188 | 84/91       |
| MT(F)42-2-2  | 641                     | 390     | 1031    | 260     | 208     | 106/111     |
| MT(F)42-2    | 641                     | 390     | 1031    | 260     | 208     | 106/111     |
| MT(F)42-3-2  | 826                     | 500     | 1326    | 330     | 255     | 187         |
| MT(F)42-3    | 826                     | 500     | 1326    | 330     | 255     | 187         |
| MT(F)42-4-2  | 906                     | 500     | 1406    | 330     | 255     | 203         |
| MT(F)42-4    | 906                     | 500     | 1406    | 330     | 255     | 203         |
| MT(F)42-5-2  | 986                     | 550     | 1536    | 330     | 255     | 225         |
| MT(F)42-5    | 986                     | 550     | 1536    | 330     | 255     | 225         |
| MT(F)42-6-2  | 1066                    | 575     | 1641    | 360     | 285     | 266         |
| MT(F)42-6    | 1066                    | 575     | 1641    | 360     | 285     | 266         |
| MT(F)42-7-2  | 1146                    | 650     | 1796    | 400     | 310     | 326         |
| MT(F)42-7    | 1146                    | 650     | 1796    | 400     | 310     | 326         |
| MT(F)42-8-2  | 1226                    | 650     | 1876    | 400     | 310     | 330         |
| MT(F)42-8    | 1226                    | 650     | 1876    | 400     | 310     | 330         |
| MT(F)42-9-2  | 1306                    | 650     | 1956    | 400     | 310     | 334         |
| MT(F)42-9    | 1306                    | 650     | 1956    | 400     | 310     | 334         |
| MT(F)42-10-2 | 1386                    | 650     | 2036    | 400     | 310     | 360         |
| MT(F)42-10   | 1386                    | 650     | 2036    | 400     | 310     | 360         |
| MT(F)42-11-2 | 1466                    | 685     | 2151    | 450     | 345     | 430         |
| MT(F)42-11   | 1466                    | 685     | 2151    | 450     | 345     | 430         |
| MT(F)42-12-2 | 1546                    | 685     | 2231    | 450     | 345     | 438         |
| MT(F)42-12   | 1546                    | 685     | 2231    | 450     | 345     | 438         |
| MT(F)42-13-2 | 1626                    | 685     | 2311    | 450     | 345     | 444         |

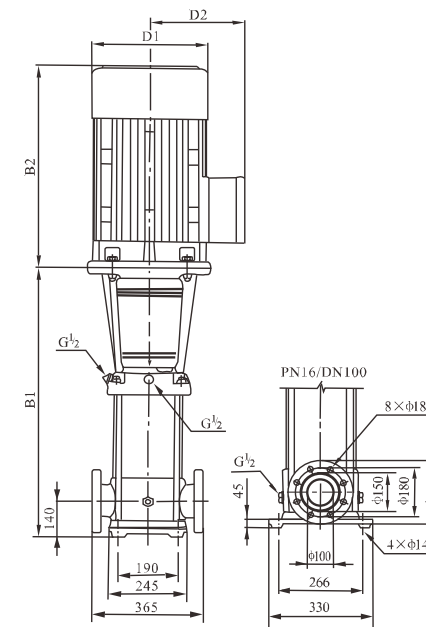
## ● Performance Curve



## ● Performance Table

| Model       | Power (kW) | Q (m³/h) | 30  | 40  | 50  | 60  | 65  | 70  | 80  |
|-------------|------------|----------|-----|-----|-----|-----|-----|-----|-----|
| MT(F)65-1-1 | 4          | H(m)     | 19  | 18  | 16  | 14  | 13  | 11  | 8   |
| MT(F)65-1   | 5.5        |          | 27  | 25  | 23  | 21  | 20  | 18  | 15  |
| MT(F)65-2-2 | 7.5        |          | 39  | 36  | 33  | 29  | 26  | 23  | 17  |
| MT(F)65-2-1 | 11         |          | 46  | 44  | 40  | 36  | 33  | 30  | 24  |
| MT(F)65-2   | 11         |          | 53  | 51  | 47  | 43  | 40  | 37  | 30  |
| MT(F)65-3-2 | 15         |          | 66  | 62  | 56  | 50  | 46  | 41  | 32  |
| MT(F)65-3-1 | 15         |          | 73  | 69  | 63  | 57  | 53  | 48  | 39  |
| MT(F)65-3   | 18.5       |          | 80  | 76  | 70  | 64  | 60  | 55  | 46  |
| MT(F)65-4-2 | 18.5       |          | 92  | 87  | 80  | 71  | 66  | 60  | 47  |
| MT(F)65-4-1 | 22         |          | 100 | 94  | 87  | 78  | 73  | 67  | 54  |
| MT(F)65-4   | 22         |          | 107 | 101 | 94  | 85  | 80  | 74  | 61  |
| MT(F)65-5-2 | 30         |          | 121 | 114 | 105 | 95  | 88  | 80  | 64  |
| MT(F)65-5-1 | 30         |          | 128 | 121 | 112 | 102 | 95  | 87  | 71  |
| MT(F)65-5   | 30         |          | 136 | 129 | 119 | 109 | 102 | 94  | 78  |
| MT(F)65-6-2 | 30         |          | 150 | 142 | 131 | 118 | 110 | 101 | 81  |
| MT(F)65-6-1 | 37         |          | 157 | 149 | 138 | 125 | 117 | 108 | 88  |
| MT(F)65-6   | 37         |          | 164 | 156 | 145 | 132 | 124 | 115 | 95  |
| MT(F)65-7-2 | 37         |          | 179 | 169 | 156 | 141 | 132 | 121 | 99  |
| MT(F)65-7-1 | 37         |          | 186 | 176 | 163 | 148 | 139 | 128 | 106 |
| MT(F)65-7   | 45         |          | 193 | 183 | 170 | 155 | 146 | 135 | 112 |
| MT(F)65-8-2 | 45         | 207      | 196 | 182 | 164 | 154 | 142 | 116 |     |
| MT(F)65-8-1 | 45         | 215      | 203 | 189 | 171 | 161 | 149 | 123 |     |

## ● Installations Sketch

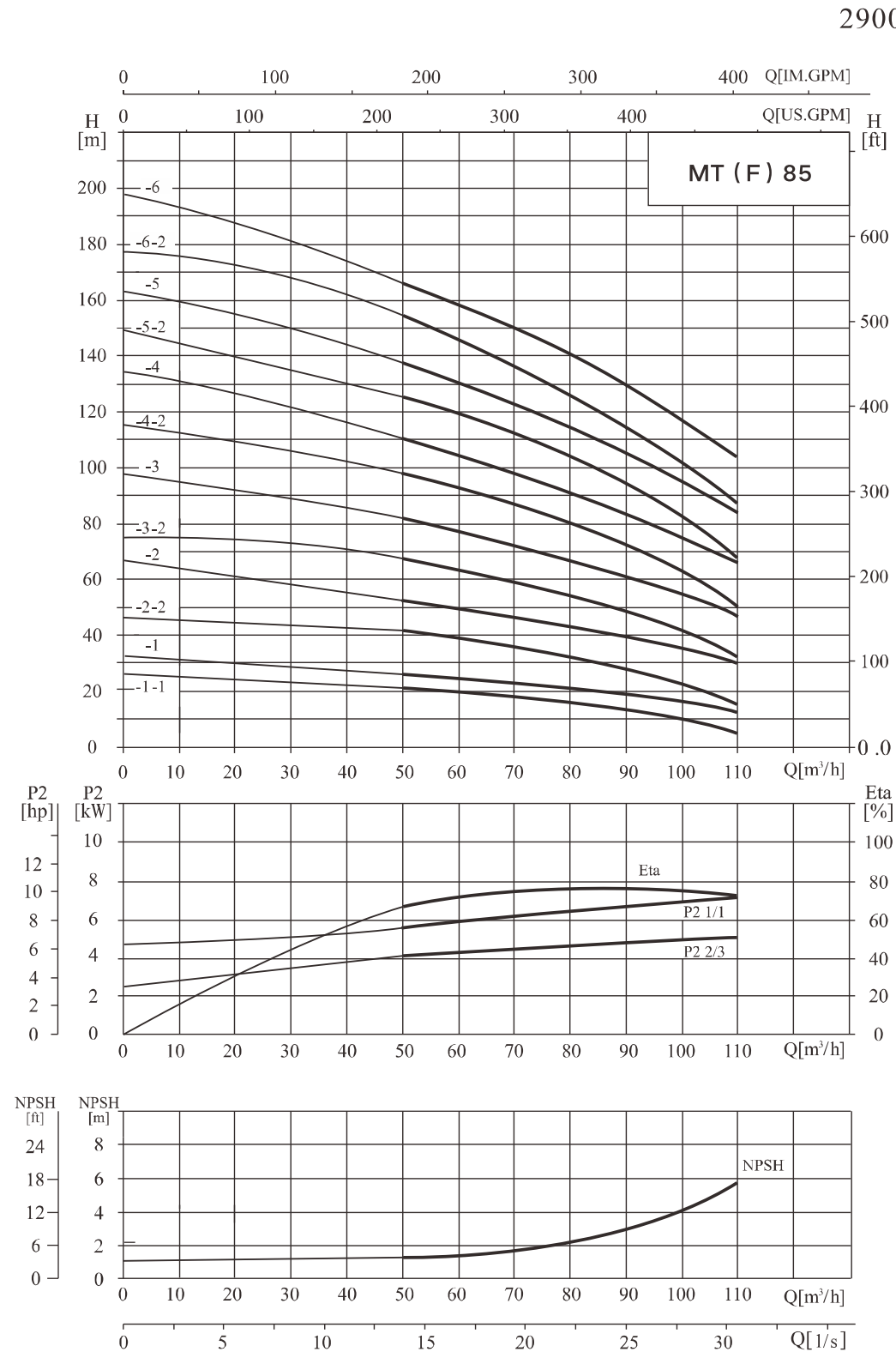


The external dimensions of the explosion-proof motor have changed. Please consult our company for details. MT65 series can also provide PN25-40/DN100 standard flanges according to customer requirements

## ● Size and Weight

| Model       | Installation Dimensions |     |       |     |     | Weight (kg) |
|-------------|-------------------------|-----|-------|-----|-----|-------------|
|             | B1                      | B2  | B1+B2 | D1  | D2  |             |
| MT(F)65-1-1 | 561                     | 355 | 916   | 230 | 188 | 98          |
| MT(F)65-1   | 561                     | 390 | 951   | 260 | 208 | 110         |
| MT(F)65-2-2 | 644                     | 390 | 1034  | 260 | 208 | 115         |
| MT(F)65-2-1 | 754                     | 500 | 1254  | 330 | 255 | 197         |
| MT(F)65-2   | 754                     | 500 | 1254  | 330 | 255 | 197         |
| MT(F)65-3-2 | 836                     | 500 | 1336  | 330 | 255 | 206         |
| MT(F)65-3-1 | 836                     | 500 | 1336  | 330 | 255 | 207         |
| MT(F)65-3   | 836                     | 550 | 1386  | 330 | 255 | 232         |
| MT(F)65-4-2 | 919                     | 550 | 1469  | 330 | 255 | 239         |
| MT(F)65-4-1 | 919                     | 575 | 1494  | 360 | 285 | 272         |
| MT(F)65-4   | 919                     | 575 | 1494  | 360 | 285 | 272         |
| MT(F)65-5-2 | 1001                    | 650 | 1651  | 400 | 310 | 334         |
| MT(F)65-5-1 | 1001                    | 650 | 1651  | 400 | 310 | 334         |
| MT(F)65-5   | 1001                    | 650 | 1651  | 400 | 310 | 335         |
| MT(F)65-6-2 | 1084                    | 650 | 1734  | 400 | 310 | 340         |
| MT(F)65-6-1 | 1084                    | 650 | 1734  | 400 | 310 | 365         |
| MT(F)65-6   | 1084                    | 650 | 1734  | 400 | 310 | 365         |
| MT(F)65-7-2 | 1166                    | 650 | 1816  | 400 | 310 | 370         |
| MT(F)65-7-1 | 1166                    | 650 | 1816  | 400 | 310 | 370         |
| MT(F)65-7   | 1166                    | 685 | 1851  | 460 | 340 | 437         |
| MT(F)65-8-2 | 1248                    | 685 | 1933  | 460 | 340 | 440         |
| MT(F)65-8-1 | 1248                    | 685 | 1933  | 460 | 340 | 440         |

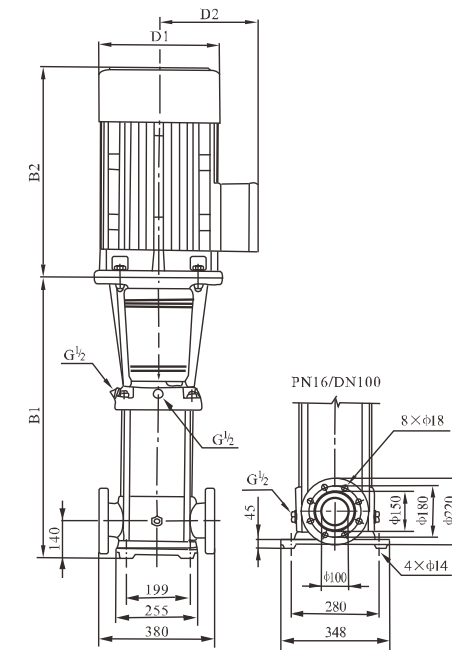
## ● Performance Curve



## ● Performance Table

| Model       | Power (kW) | Q (m³/h) | 50  | 60  | 70  | 80  | 85  | 90  | 100 | 110 |
|-------------|------------|----------|-----|-----|-----|-----|-----|-----|-----|-----|
| MT(F)85-1-1 | 5.7        | H(m)     | 22  | 19  | 17  | 16  | 14  | 13  | 10  | 6   |
| MT(F)85-1   | 7.5        |          | 25  | 24  | 22  | 21  | 20  | 19  | 16  | 12  |
| MT(F)85-2-2 | 11         |          | 41  | 39  | 36  | 32  | 30  | 28  | 22  | 15  |
| MT(F)85-2   | 15         |          | 53  | 50  | 47  | 44  | 41  | 40  | 36  | 30  |
| MT(F)85-3-2 | 18.5       |          | 68  | 65  | 60  | 55  | 52  | 49  | 41  | 32  |
| MT(F)85-3   | 22         |          | 81  | 77  | 72  | 67  | 64  | 62  | 55  | 48  |
| MT(F)85-4-2 | 30         |          | 98  | 93  | 87  | 80  | 75  | 72  | 62  | 50  |
| MT(F)85-4   | 30         |          | 110 | 105 | 100 | 92  | 86  | 84  | 76  | 66  |
| MT(F)85-5-2 | 37         |          | 126 | 120 | 113 | 104 | 98  | 93  | 81  | 68  |
| MT(F)85-5   | 37         |          | 139 | 131 | 124 | 115 | 110 | 106 | 94  | 83  |
| MT(F)85-6-2 | 45         |          | 155 | 148 | 139 | 129 | 122 | 117 | 102 | 86  |
| MT(F)85-6   | 45         | 168      | 160 | 150 | 141 | 134 | 130 | 117 | 103 |     |

## ● Installations Sketch



The external dimensions of the explosion-proof motor have changed. Please consult our company for details, MT85 series can also provide PN25-40/DN100 standard flanges according to customer requirements

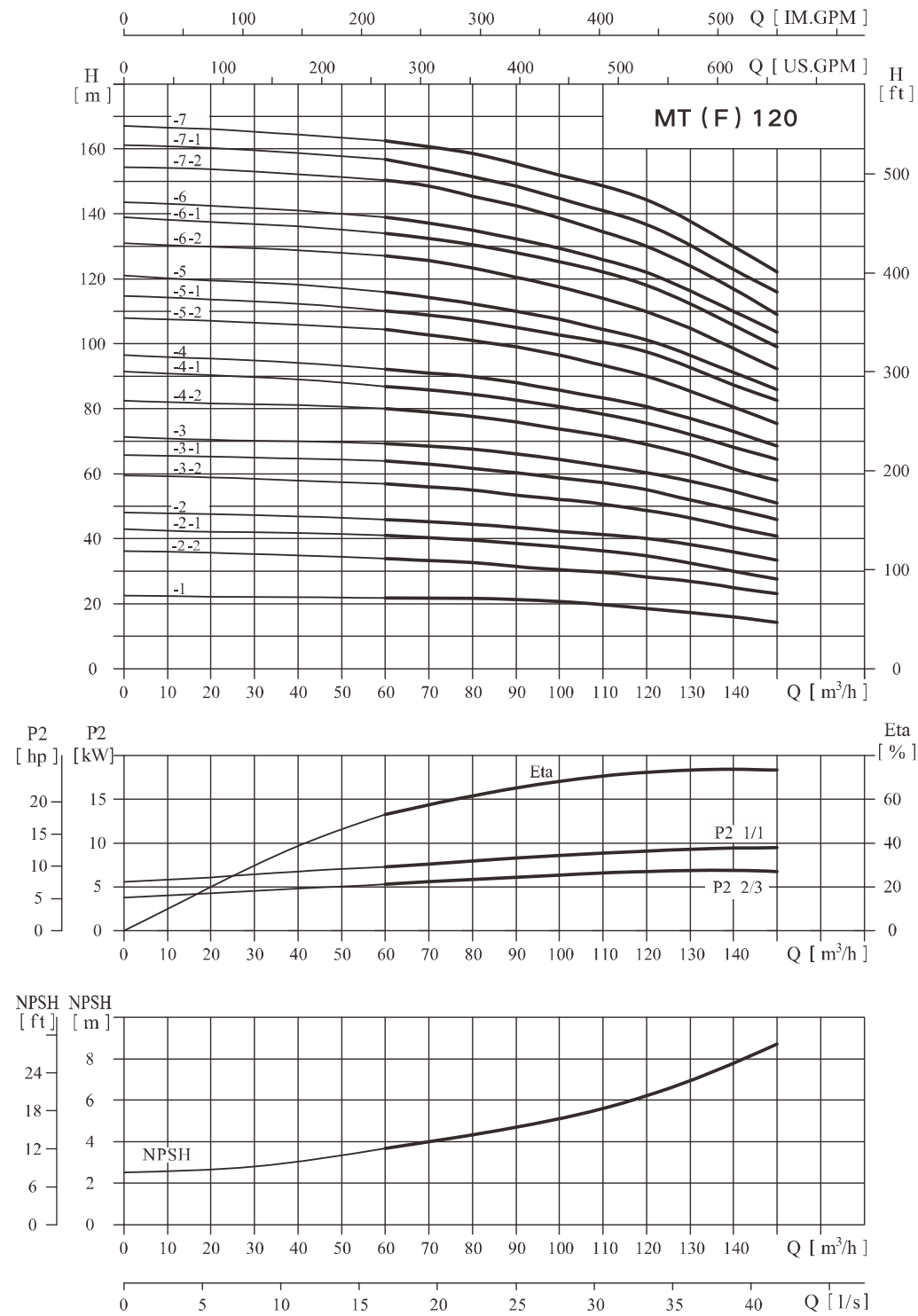
## ● Size and Weight

| Model       | Installation Dimensions |     |       |     |     | Weight (kg) |
|-------------|-------------------------|-----|-------|-----|-----|-------------|
|             | B1                      | B2  | B1+B2 | D1  | D2  |             |
| MT(F)85-1-1 | 571                     | 390 | 961   | 260 | 208 | 109         |
| MT(F)85-1   | 571                     | 390 | 961   | 60  | 208 | 115         |
| MT(F)85-2-2 | 773                     | 500 | 1273  | 330 | 255 | 185         |
| MT(F)85-2   | 773                     | 500 | 1273  | 330 | 255 | 202         |
| MT(F)85-3-2 | 865                     | 550 | 1415  | 330 | 255 | 225         |
| MT(F)85-3   | 865                     | 575 | 1440  | 360 | 285 | 268         |
| MT(F)85-4-2 | 957                     | 650 | 1607  | 400 | 310 | 328         |
| MT(F)85-4   | 957                     | 650 | 1607  | 400 | 310 | 328         |
| MT(F)85-5-2 | 1049                    | 650 | 1699  | 400 | 310 | 351         |
| MT(F)85-5   | 1049                    | 650 | 1699  | 400 | 310 | 351         |
| MT(F)85-6-2 | 1141                    | 685 | 1826  | 460 | 340 | 428         |
| MT(F)85-6   | 1141                    | 685 | 1826  | 460 | 340 | 428         |



## ● Performance Curve

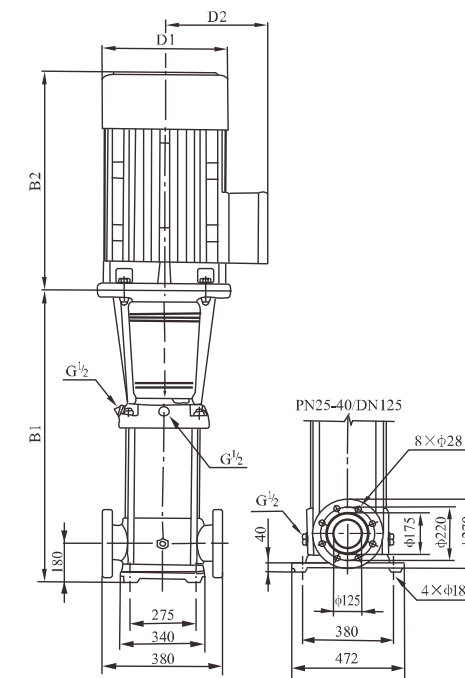
2950rpm



## ● Performance Table

| Model        | Power (kW) | Q (m³/h) | 60    | 70    | 80    | 90    | 100   | 110   | 120   | 130   | 140   | 150   |
|--------------|------------|----------|-------|-------|-------|-------|-------|-------|-------|-------|-------|-------|
| MT(F)120-1   | 11         |          | 22    | 21.8  | 21.6  | 21    | 20.5  | 19.5  | 18.5  | 17    | 16    | 15    |
| MT(F)120-2-2 | 15         |          | 34    | 33.6  | 33    | 31    | 30.2  | 30    | 28.5  | 27    | 25    | 24    |
| MT(F)120-2-1 | 18.5       |          | 41    | 40    | 39.5  | 38.5  | 37    | 36.5  | 34.5  | 32.5  | 30    | 27.5  |
| MT(F)120-2   | 22         |          | 46    | 45    | 44.5  | 43.5  | 42.4  | 41    | 40    | 38    | 36    | 33.5  |
| MT(F)120-3-2 | 30         |          | 57    | 56    | 55    | 53.5  | 52    | 51    | 49    | 46.5  | 43.5  | 41    |
| MT(F)120-3-1 | 30         |          | 64    | 63    | 62    | 60    | 58.5  | 57.5  | 55.5  | 52    | 49    | 46    |
| MT(F)120-3   | 30         |          | 69.5  | 68.5  | 67.5  | 66    | 64.4  | 62.5  | 61    | 57.5  | 54.5  | 51    |
| MT(F)120-4-2 | 37         |          | 80.5  | 79    | 78    | 76    | 73.5  | 72    | 69    | 66    | 61.5  | 58    |
| MT(F)120-4-1 | 37         |          | 87    | 86    | 84.5  | 82    | 80    | 78    | 76    | 72    | 68    | 64.5  |
| MT(F)120-4   | 45         |          | 92.5  | 91    | 90    | 88    | 85.5  | 83    | 81    | 77    | 73    | 68.5  |
| MT(F)120-5-2 | 45         |          | 104.5 | 103   | 101   | 99    | 96    | 93    | 90    | 85.5  | 80.5  | 75.5  |
| MT(F)120-5-1 | 45         |          | 110.5 | 109   | 107.5 | 105   | 102   | 100   | 97    | 92    | 86.5  | 83    |
| MT(F)120-5   | 55         |          | 115.5 | 114   | 113   | 110   | 107.5 | 104.5 | 101.5 | 96    | 91    | 86    |
| MT(F)120-6-2 | 55         |          | 128   | 125.5 | 123   | 121   | 117.3 | 113.5 | 110   | 104.5 | 98.5  | 92.5  |
| MT(F)120-6-1 | 55         |          | 134   | 132   | 130.5 | 127   | 124   | 121   | 118   | 111   | 105   | 100   |
| MT(F)120-6   | 75         |          | 139   | 137   | 135   | 132   | 128.8 | 126   | 123   | 116   | 110   | 104   |
| MT(F)120-7-2 | 75         |          | 151   | 148   | 145.5 | 143   | 138.6 | 134   | 130   | 123.5 | 116.5 | 109   |
| MT(F)120-7-1 | 75         |          | 156.5 | 154   | 152   | 148.5 | 144.5 | 141   | 137.5 | 130   | 123   | 116.5 |
| MT(F)120-7   | 75         |          | 162.5 | 160.5 | 158.5 | 155   | 151   | 148   | 145   | 137   | 129   | 123   |

## ● Installations Sketch



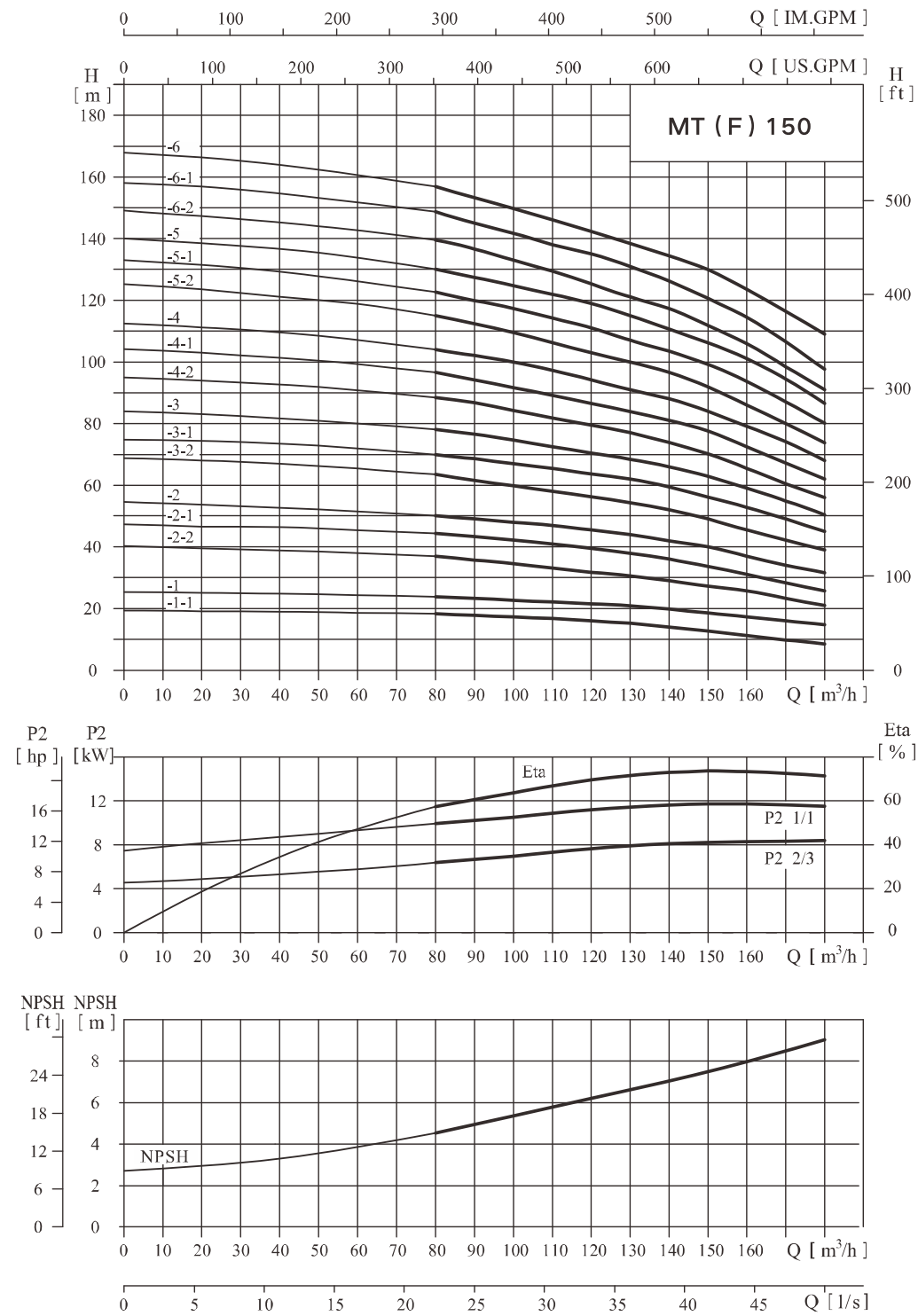
The external dimensions of the explosion-proof motor have changed. Please consult our company for details.

## ● Size and Weight

| Model        | Installation Dimensions |     |       |     |     | Weight (kg) |
|--------------|-------------------------|-----|-------|-----|-----|-------------|
|              | B1                      | B2  | B1+B2 | D1  | D2  |             |
| MT(F)120-1   | 840                     | 500 | 1340  | 330 | 255 | 226         |
| MT(F)120-2-2 | 1000                    | 500 | 1500  | 330 | 255 | 250         |
| MT(F)120-2-1 | 1000                    | 550 | 1550  | 330 | 255 | 263         |
| MT(F)120-2   | 1000                    | 575 | 1575  | 360 | 285 | 310         |
| MT(F)120-3-2 | 1160                    | 650 | 1810  | 400 | 310 | 375         |
| MT(F)120-3-1 | 1160                    | 650 | 1810  | 400 | 310 | 375         |
| MT(F)120-3   | 1160                    | 650 | 1810  | 400 | 310 | 375         |
| MT(F)120-4-2 | 1320                    | 650 | 1970  | 400 | 310 | 405         |
| MT(F)120-4-1 | 1320                    | 650 | 1970  | 400 | 310 | 405         |
| MT(F)120-4   | 1320                    | 685 | 2005  | 460 | 340 | 501         |
| MT(F)120-5-2 | 1480                    | 685 | 2165  | 460 | 340 | 509         |
| MT(F)120-5-1 | 1480                    | 685 | 2165  | 460 | 340 | 509         |
| MT(F)120-5   | 1510                    | 760 | 2270  | 540 | 370 | 632         |
| MT(F)120-6-2 | 1670                    | 760 | 2430  | 540 | 370 | 641         |
| MT(F)120-6-1 | 1670                    | 760 | 2430  | 540 | 370 | 641         |
| MT(F)120-6   | 1670                    | 845 | 2515  | 580 | 410 | 757         |
| MT(F)120-7-2 | 1830                    | 845 | 2675  | 580 | 410 | 766         |
| MT(F)120-7-1 | 1830                    | 845 | 2675  | 580 | 410 | 766         |
| MT(F)120-7   | 1830                    | 845 | 2675  | 580 | 410 | 766         |

## ● Performance Curve

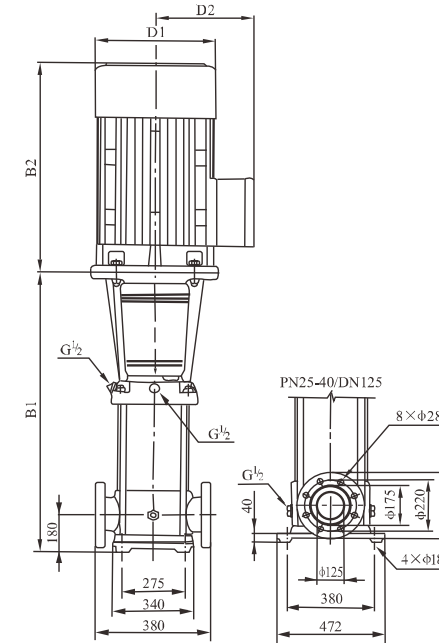
2950rpm



## ● Performance Table

| Model        | Power (kW) | Q (m³/h) | 80    | 90    | 100   | 110   | 120   | 130   | 140   | 150   | 160   | 170   | 180   |
|--------------|------------|----------|-------|-------|-------|-------|-------|-------|-------|-------|-------|-------|-------|
| MT(F)150-1-1 | 11         | H(m)     | 18,3  | 17,8  | 17,3  | 17    | 16    | 15    | 14    | 12,5  | 11    | 10    | 8,5   |
| MT(F)150-1   | 15         |          | 24    | 23    | 22,5  | 22    | 21,5  | 20,5  | 20    | 18,5  | 17    | 16    | 15    |
| MT(F)150-2-2 | 18,5       |          | 37    | 35,5  | 34    | 33    | 32    | 31    | 29    | 27,5  | 26    | 23    | 21    |
| MT(F)150-2-1 | 22         |          | 44,3  | 43    | 42    | 40    | 39    | 38,5  | 37,5  | 35    | 33    | 30    | 27    |
| MT(F)150-2   | 30         |          | 50    | 49    | 48    | 47    | 45,5  | 44    | 42    | 40    | 37    | 34    | 32    |
| MT(F)150-3-2 | 30         |          | 63,5  | 61    | 59    | 57,5  | 56    | 54,5  | 53    | 49    | 45,5  | 42    | 39    |
| MT(F)150-3-1 | 37         |          | 70    | 68    | 67    | 65    | 63    | 62    | 60    | 56    | 53    | 49    | 45    |
| MT(F)150-3   | 37         |          | 78    | 76,5  | 75    | 73    | 70,5  | 68    | 66    | 63    | 59    | 55    | 50,58 |
| MT(F)150-4-2 | 45         |          | 89    | 87    | 84    | 81,5  | 79    | 77    | 74,5  | 70,5  | 65,5  | 60    | 56    |
| MT(F)150-4-1 | 45         |          | 96,5  | 94    | 91,5  | 89    | 86,5  | 84    | 81,5  | 77    | 72,5  | 67    | 62    |
| MT(F)150-4   | 55         |          | 104   | 102   | 100   | 97    | 95    | 91    | 88    | 84    | 79,5  | 74    | 68    |
| MT(F)150-5-2 | 55         |          | 115,5 | 112   | 109   | 106   | 102,5 | 100   | 97    | 92    | 86    | 79    | 73,5  |
| MT(F)150-5-1 | 75         |          | 122,5 | 119,5 | 117   | 113,5 | 111,5 | 107,5 | 104,5 | 99    | 93,5  | 87    | 80    |
| MT(F)150-5   | 75         |          | 130   | 127,5 | 125   | 121   | 119   | 115   | 111,5 | 106,5 | 101   | 94,5  | 86,5  |
| MT(F)150-6-2 | 75         |          | 140   | 137   | 133   | 130   | 126   | 121   | 118   | 112   | 106   | 98    | 91    |
| MT(F)150-6-1 | 75         |          | 148,5 | 145   | 141,7 | 137,5 | 135   | 131   | 127   | 120,5 | 114,5 | 106,5 | 97,5  |
| MT(F)150-6   | 75         |          | 157   | 153   | 149   | 145   | 142   | 139,5 | 137   | 130   | 123,5 | 116   | 109   |

## ● Installations Sketch

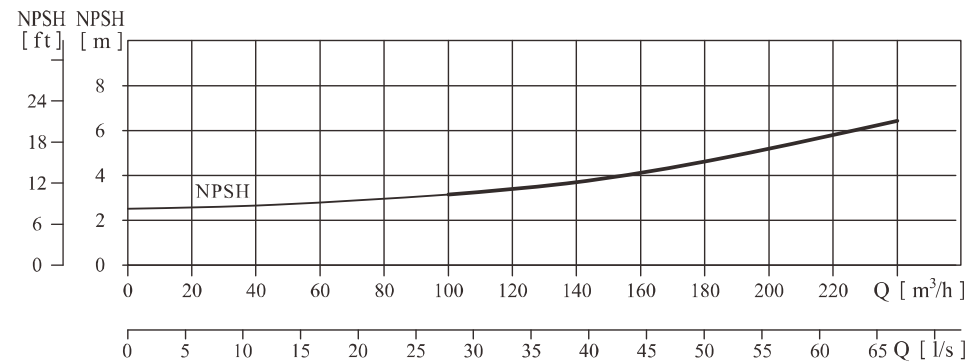
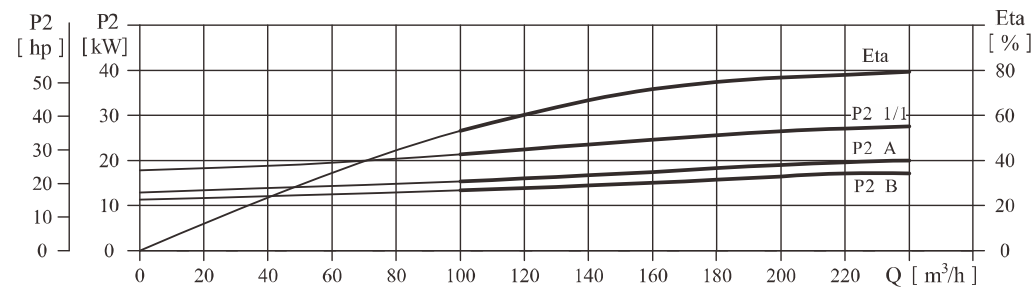
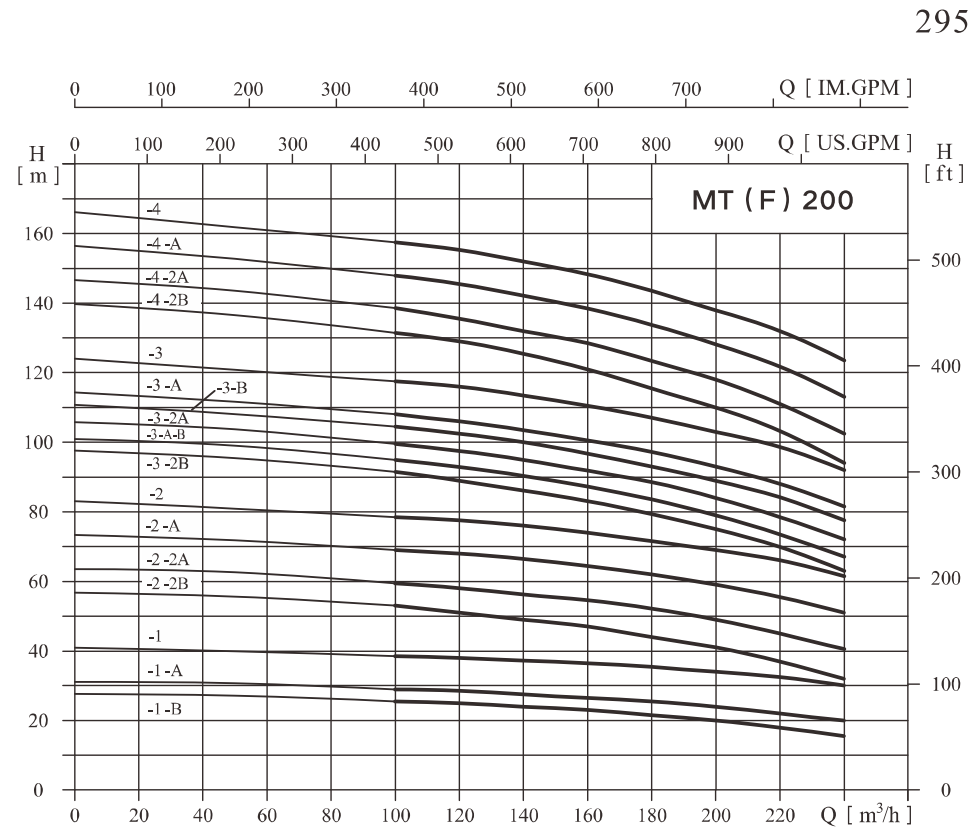


The external dimensions of the explosion-proof motor have changed. Please consult our company for details

## ● Size and Weight

| Model        | Installation Dimensions |     |       |     |     | Weight (kg) |
|--------------|-------------------------|-----|-------|-----|-----|-------------|
|              | B1                      | B2  | B1+B2 | D1  | D2  |             |
| MT(F)150-1-1 | 840                     | 500 | 1340  | 330 | 255 | 227         |
| MT(F)150-1   | 840                     | 500 | 1340  | 330 | 255 | 240         |
| MT(F)150-2-2 | 100                     | 550 | 1550  | 330 | 255 | 263         |
| MT(F)150-2-1 | 100                     | 575 | 1575  | 360 | 285 | 311         |
| MT(F)150-2   | 100                     | 650 | 1650  | 400 | 310 | 364         |
| MT(F)150-3-2 | 1160                    | 650 | 1810  | 400 | 310 | 374         |
| MT(F)150-3-1 | 1160                    | 650 | 1810  | 400 | 310 | 395         |
| MT(F)150-3   | 1160                    | 650 | 1810  | 400 | 310 | 395         |
| MT(F)150-4-2 | 1320                    | 685 | 2005  | 460 | 340 | 502         |
| MT(F)150-4-1 | 1320                    | 685 | 2005  | 460 | 340 | 502         |
| MT(F)150-4   | 1350                    | 760 | 2110  | 540 | 370 | 625         |
| MT(F)150-5-2 | 1510                    | 760 | 2270  | 540 | 370 | 636         |
| MT(F)150-5-1 | 1510                    | 845 | 2355  | 580 | 410 | 752         |
| MT(F)150-5   | 1510                    | 845 | 2355  | 580 | 410 | 752         |
| MT(F)150-6-2 | 1670                    | 845 | 2515  | 580 | 410 | 762         |
| MT(F)150-6-1 | 1670                    | 845 | 2515  | 580 | 410 | 762         |
| MT(F)150-6   | 1670                    | 845 | 2515  | 580 | 410 | 762         |

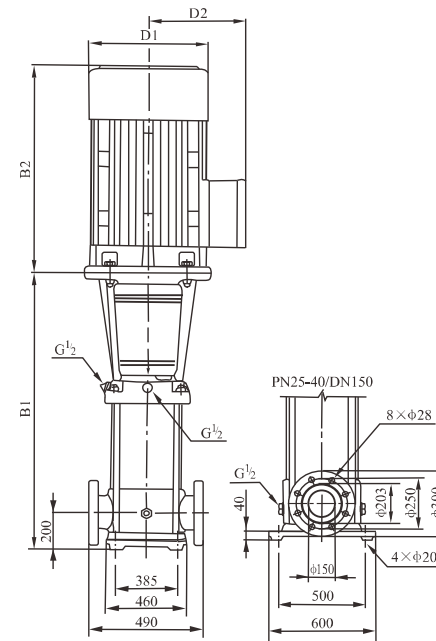
## ● Performance Curve



## ● Performance Table

| Model          | Power (kW) | Q (m³/h) | 80    | 90    | 100   | 110   | 120   | 130   | 140   | 150   | 160   | 170   | 180   |
|----------------|------------|----------|-------|-------|-------|-------|-------|-------|-------|-------|-------|-------|-------|
| MT(F)200-1-B   | 11         | H(m)     | 18,3  | 17,8  | 17,3  | 17    | 16    | 15    | 14    | 12,5  | 11    | 10    | 8,5   |
| MT(F)200-1-A   | 15         |          | 24    | 23    | 22,5  | 22    | 21,5  | 20,5  | 20    | 18,5  | 17    | 16    | 15    |
| MT(F)200-1     | 18,5       |          | 37    | 35,5  | 34    | 33    | 32    | 31    | 29    | 27,5  | 26    | 23    | 21    |
| MT(F)200-2-2B  | 22         |          | 44,3  | 43    | 42    | 40    | 39    | 38,5  | 37,5  | 35    | 33    | 30    | 27    |
| MT(F)200-2-2A  | 30         |          | 50    | 49    | 48    | 47    | 45,5  | 44    | 42    | 40    | 37    | 34    | 32    |
| MT(F)200-2-A   | 30         |          | 63,5  | 61    | 59    | 57,5  | 56    | 54,5  | 53    | 49    | 45,5  | 42    | 39    |
| MT(F)200-2     | 37         |          | 70    | 68    | 67    | 65    | 63    | 62    | 60    | 56    | 53    | 49    | 45    |
| MT(F)200-3-2B  | 37         |          | 78    | 76,5  | 75    | 73    | 70,5  | 68    | 66    | 63    | 59    | 55    | 50,58 |
| MT(F)200-3-A-B | 45         |          | 89    | 87    | 84    | 81,5  | 79    | 77    | 74,5  | 70,5  | 65,5  | 60    | 56    |
| MT(F)200-3-2A  | 45         |          | 96,5  | 94    | 91,5  | 89    | 86,5  | 84    | 81,5  | 77    | 72,5  | 67    | 62    |
| MT(F)200-3-B   | 55         |          | 104   | 102   | 100   | 97    | 95    | 91    | 88    | 84    | 79,5  | 74    | 68    |
| MT(F)200-3-A   | 55         |          | 115,5 | 112   | 109   | 106   | 102,5 | 100   | 97    | 92    | 86    | 79    | 73,5  |
| MT(F)200-3     | 75         |          | 122,5 | 119,5 | 117   | 113,5 | 111,5 | 107,5 | 104,5 | 99    | 93,5  | 87    | 80    |
| MT(F)200-4-2B  | 75         |          | 130   | 127,5 | 125   | 121   | 119   | 115   | 111,5 | 106,5 | 101   | 94,5  | 86,5  |
| MT(F)200-4-2A  | 75         |          | 140   | 137   | 133   | 130   | 126   | 121   | 118   | 112   | 106   | 98    | 91    |
| MT(F)200-4-A   | 75         |          | 148,5 | 145   | 141,7 | 137,5 | 135   | 131   | 127   | 120,5 | 114,5 | 106,5 | 97,5  |
| MT(F)200-4     | 75         | 157      | 153   | 149   | 145   | 142   | 139,5 | 137   | 130   | 123,5 | 116   | 109   |       |

## ● Installations Sketch



The external dimensions of the explosion-proof motor have changed. Please consult our company for details

## ● Size and Weight

| Model          | Installation Dimensions |      |       |     |     | Weight (kg) |
|----------------|-------------------------|------|-------|-----|-----|-------------|
|                | B1                      | B2   | B1+B2 | D1  | D2  |             |
| MT(F)200-1-B   | 907                     | 550  | 1457  | 330 | 255 | 343         |
| MT(F)200-1-A   | 907                     | 575  | 1482  | 360 | 285 | 390         |
| MT(F)200-1     | 907                     | 650  | 1557  | 400 | 310 | 443         |
| MT(F)200-2-2B  | 1101                    | 650  | 1751  | 400 | 310 | 482         |
| MT(F)200-2-2A  | 1101                    | 685  | 1786  | 460 | 340 | 578         |
| MT(F)200-2     | 1131                    | 760  | 1891  | 540 | 370 | 710         |
| MT(F)200-3-2B  | 1325                    | 845  | 2170  | 580 | 410 | 845         |
| MT(F)200-3-A-B | 1325                    | 845  | 2170  | 580 | 410 | 845         |
| MT(F)200-3-2A  | 1325                    | 845  | 2170  | 580 | 410 | 845         |
| MT(F)200-3-B   | 1325                    | 845  | 2170  | 580 | 410 | 845         |
| MT(F)200-3-A   | 1325                    | 845  | 2170  | 580 | 410 | 845         |
| MT(F)200-3     | 1325                    | 895  | 2220  | 580 | 410 | 921         |
| MT(F)200-4-2B  | 1419                    | 895  | 2414  | 580 | 410 | 938         |
| MT(F)200-4-2A  | 1519                    | 1140 | 2659  | 645 | 550 | 1148        |
| MT(F)200-4-A   | 1519                    | 1140 | 2659  | 645 | 550 | 1148        |
| MT(F)200-4     | 1519                    | 1140 | 2659  | 645 | 550 | 1148        |